

**JACK ANDERSON**  
FABRICATION DESIGN

3326 CAZADOR STREET  
LOS ANGELES CA 90065  
623-419-4802  
jack4congrss@protonmail.com

**LOS ANGELES SOLAR SYSTEM PROJECT**  
**WALL MOUNT MERCURY**  
 2800 E. Observatory Rd  
 Los Angeles, CA 90027

DRAWN BY  
**JACK**

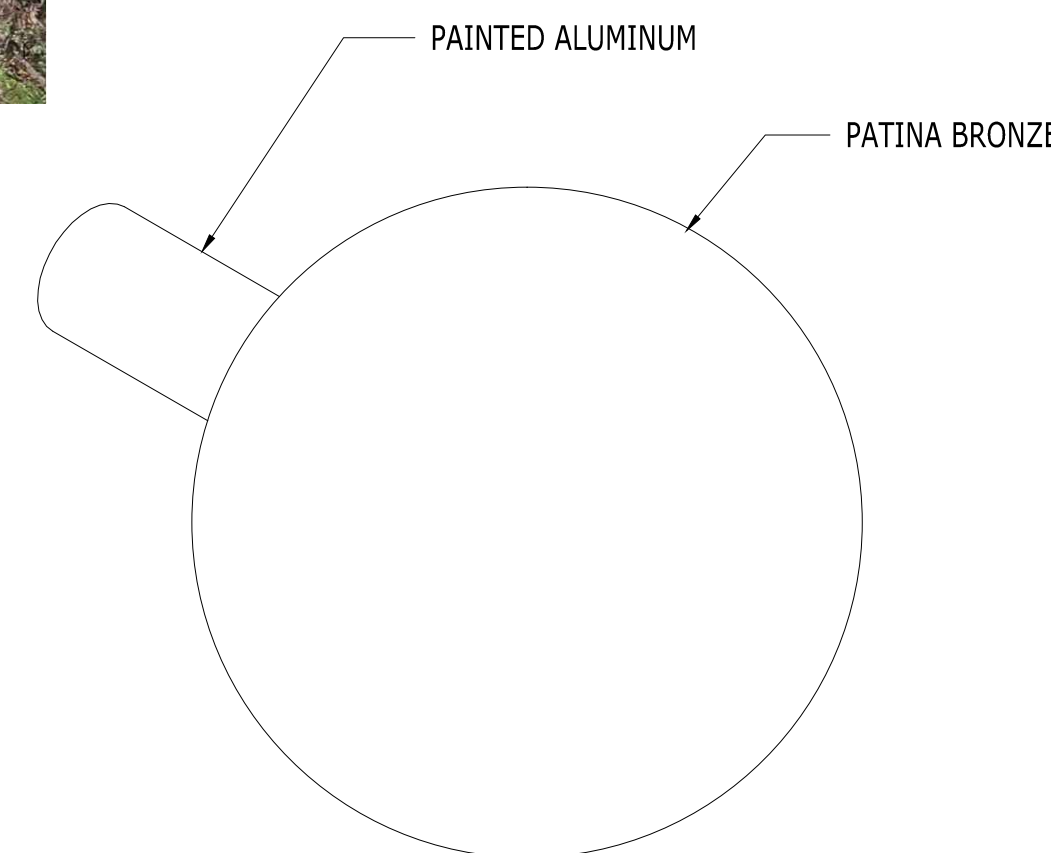
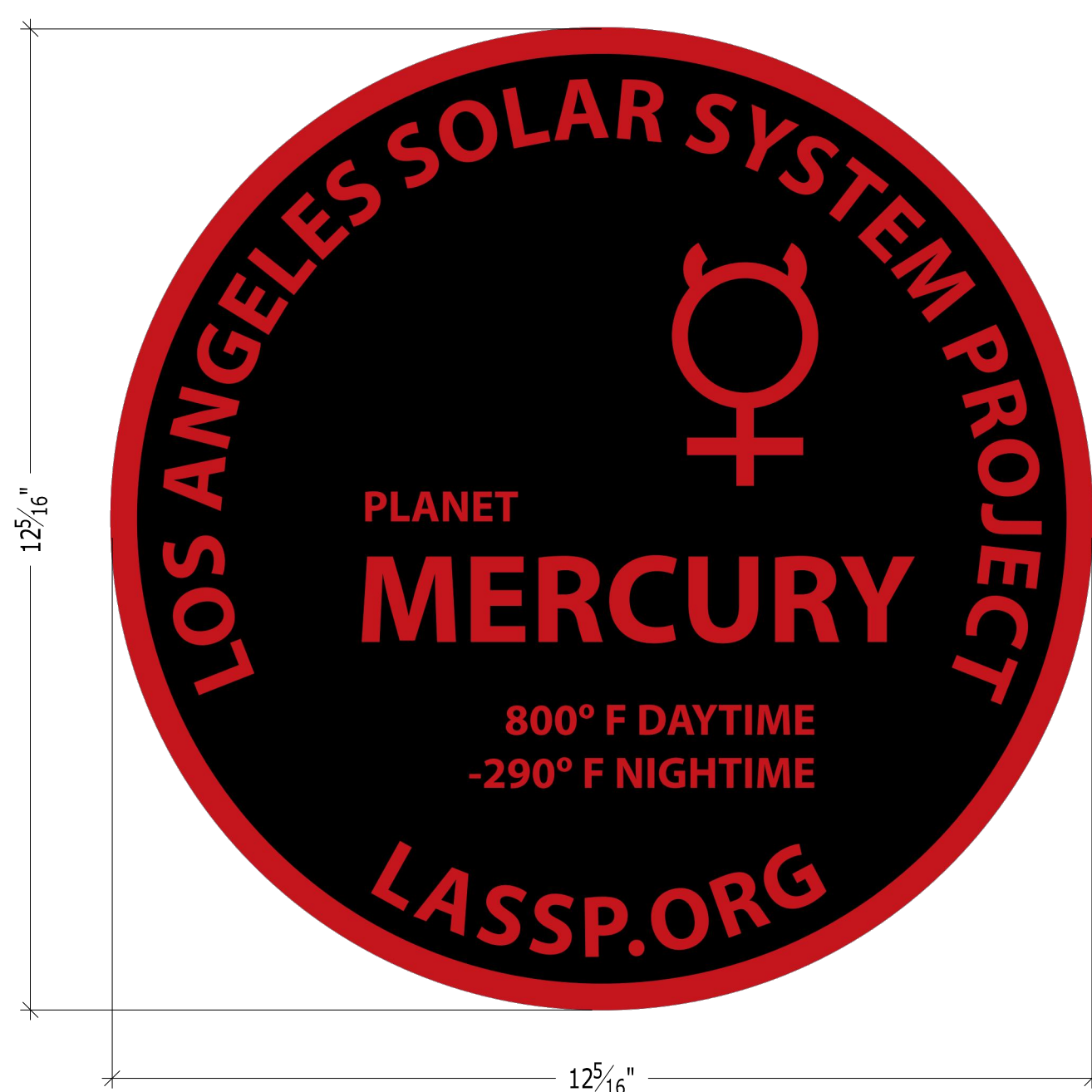
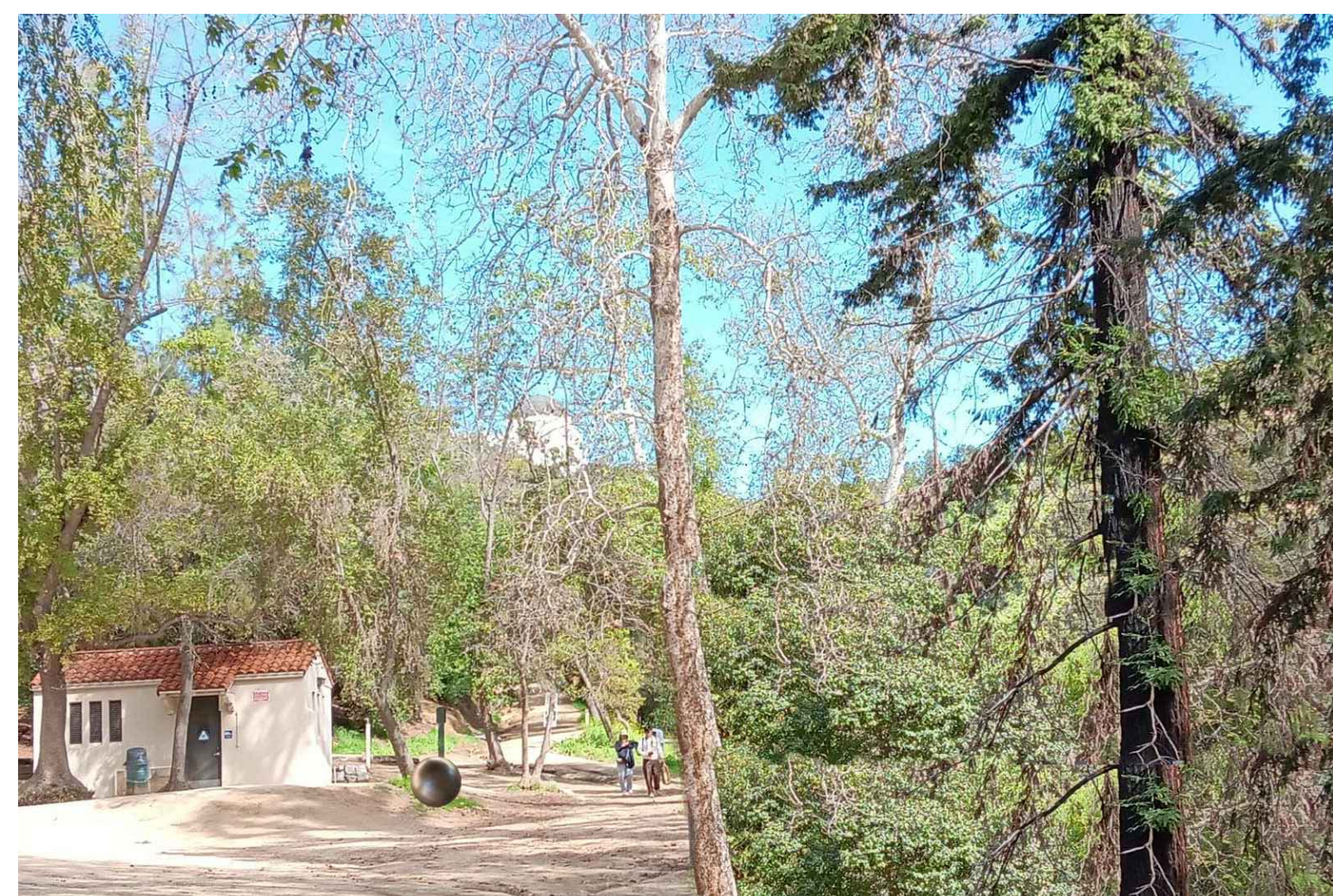
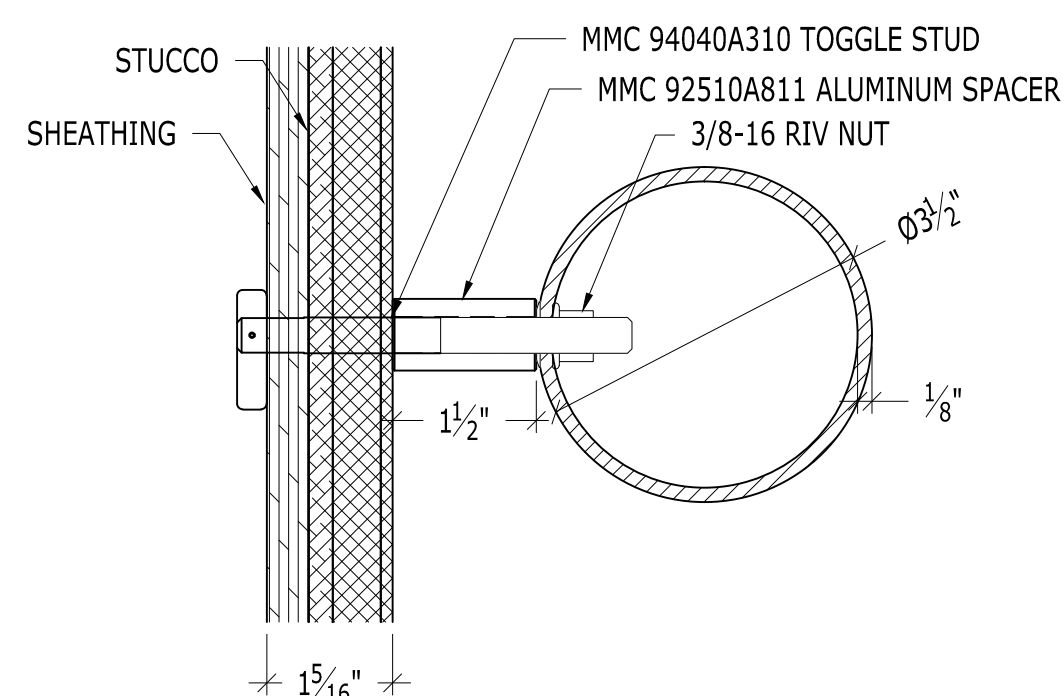
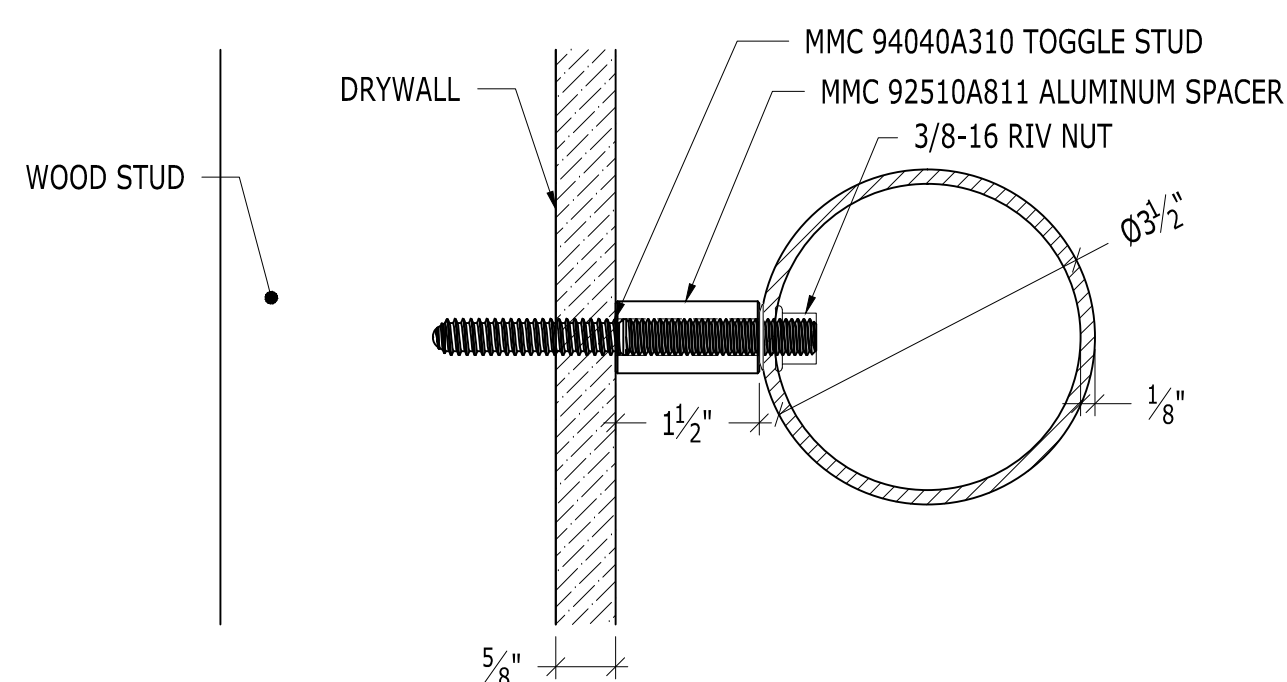
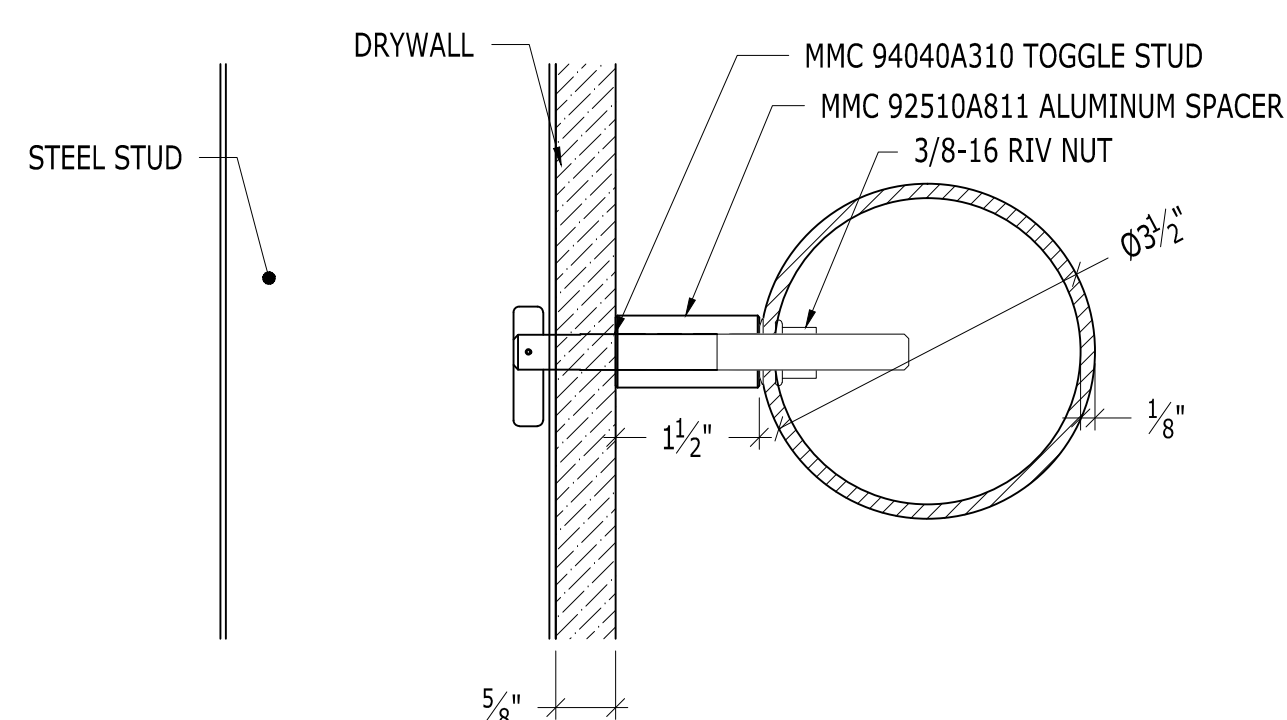
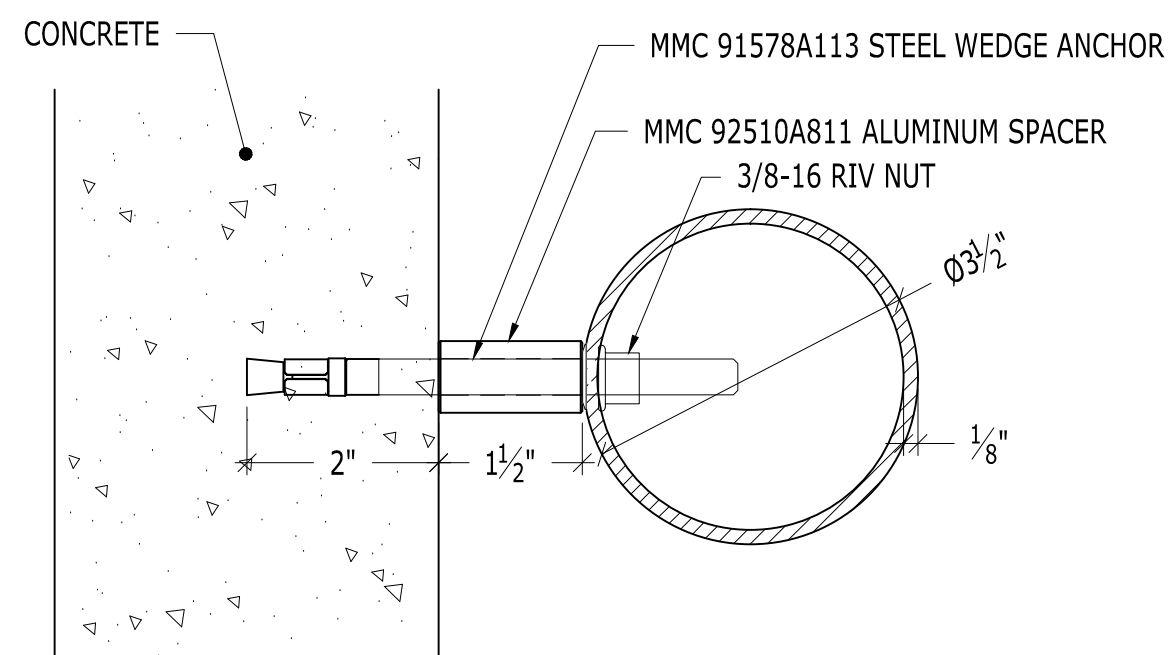
DRAWING DATE  
**2-5-2026**

REVISION DATE  
--/--/----

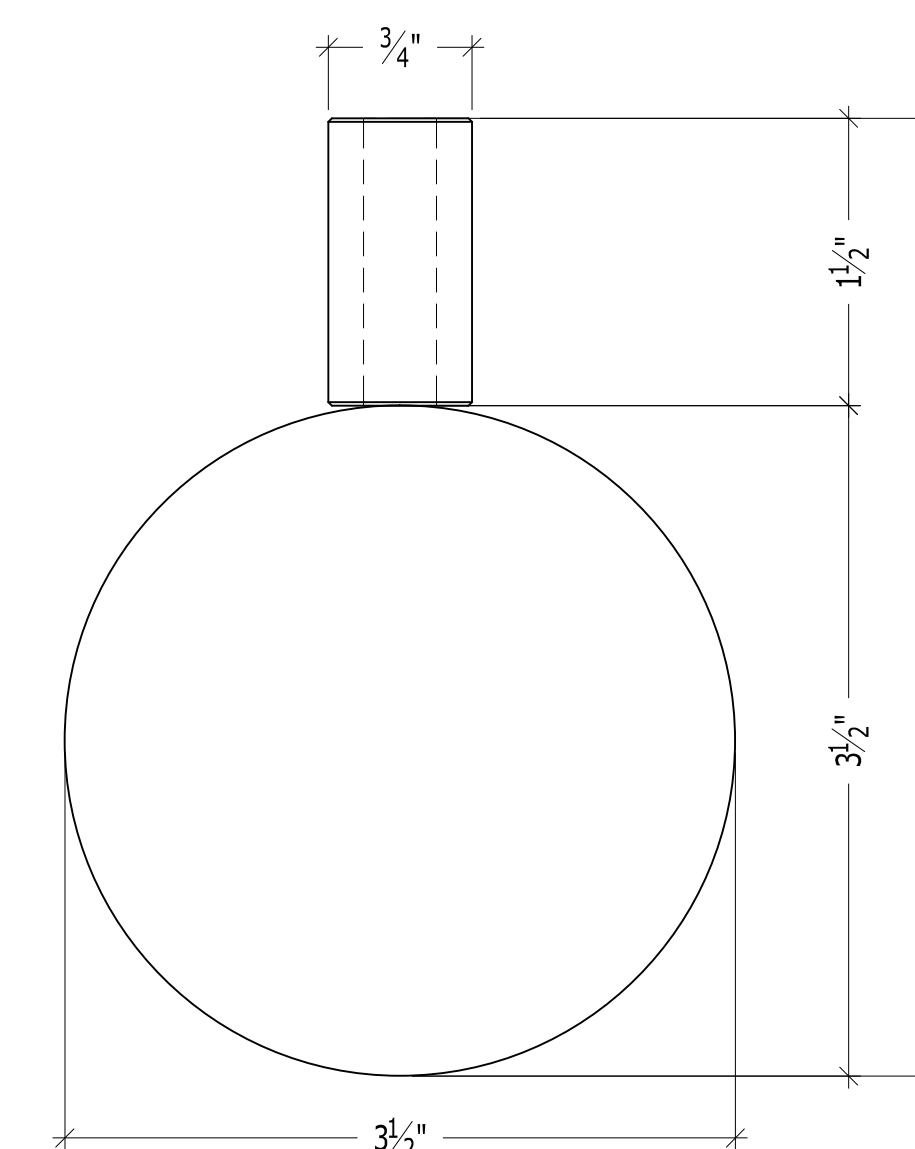
TITLE  
**ELEVATION, SECTIONS**

SCALE  
**AS NOTED**

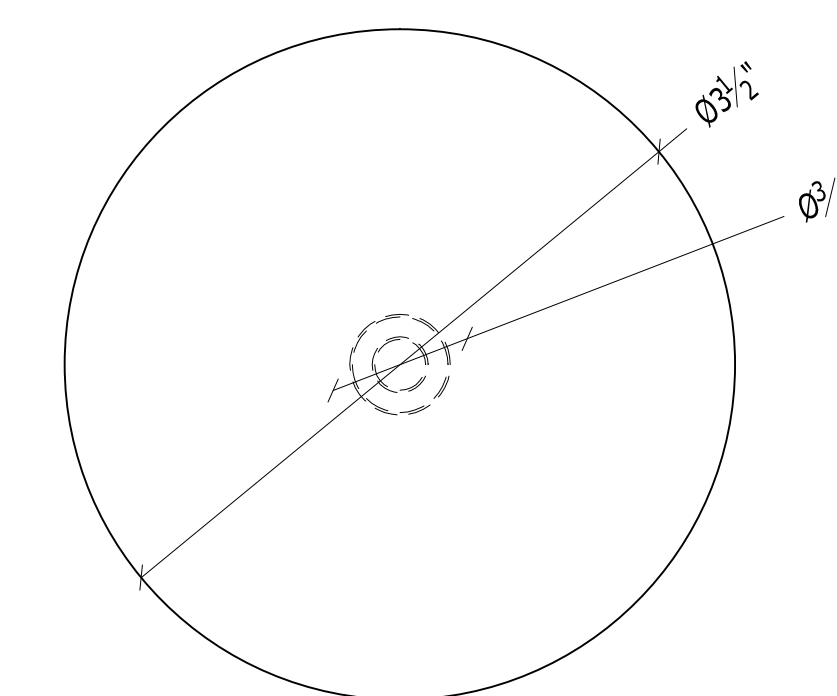
SHEET  
**ME100**



ISO VIEW  
NTS



PLAN -  
SCALE: FULL SCALE



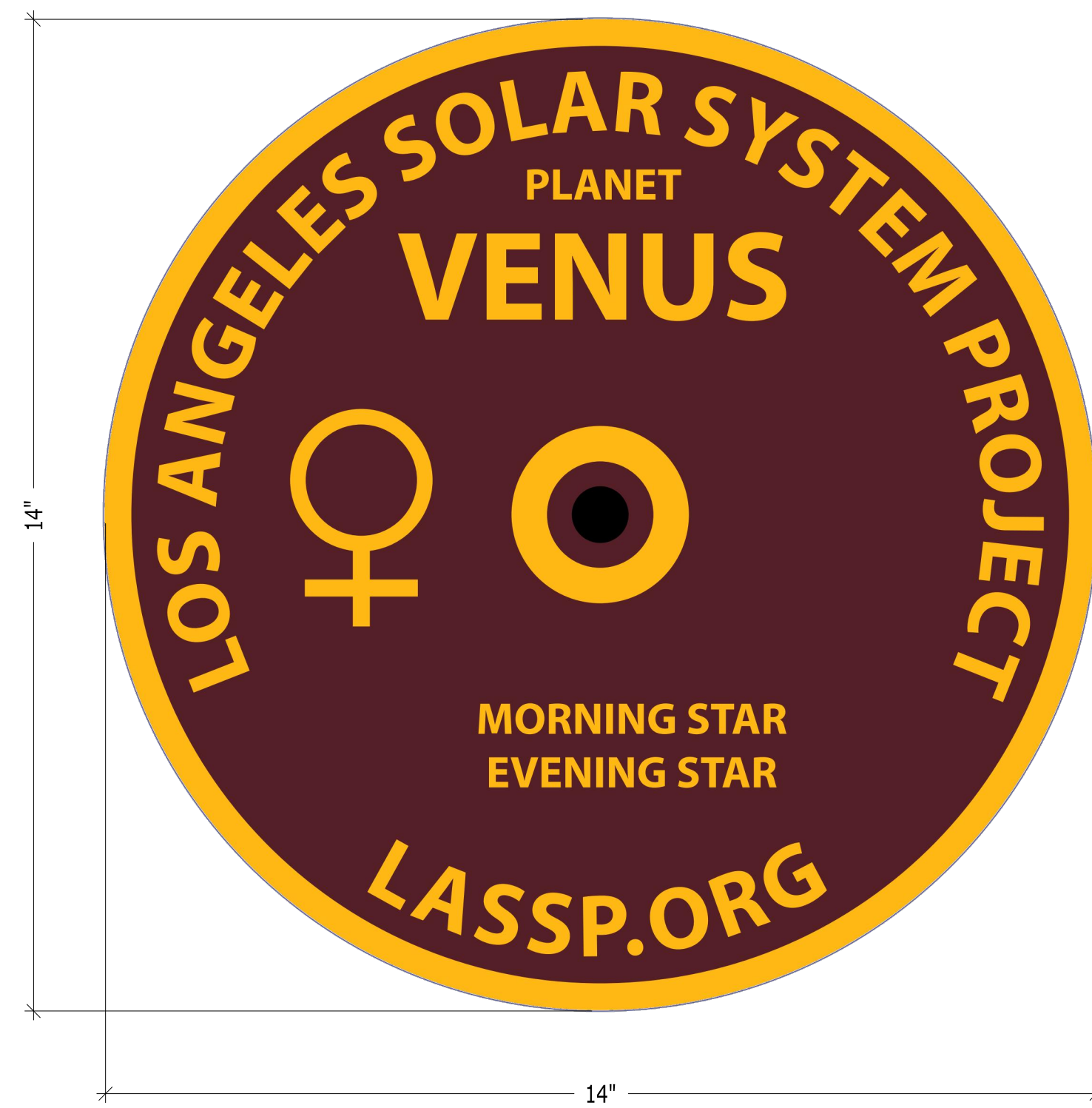
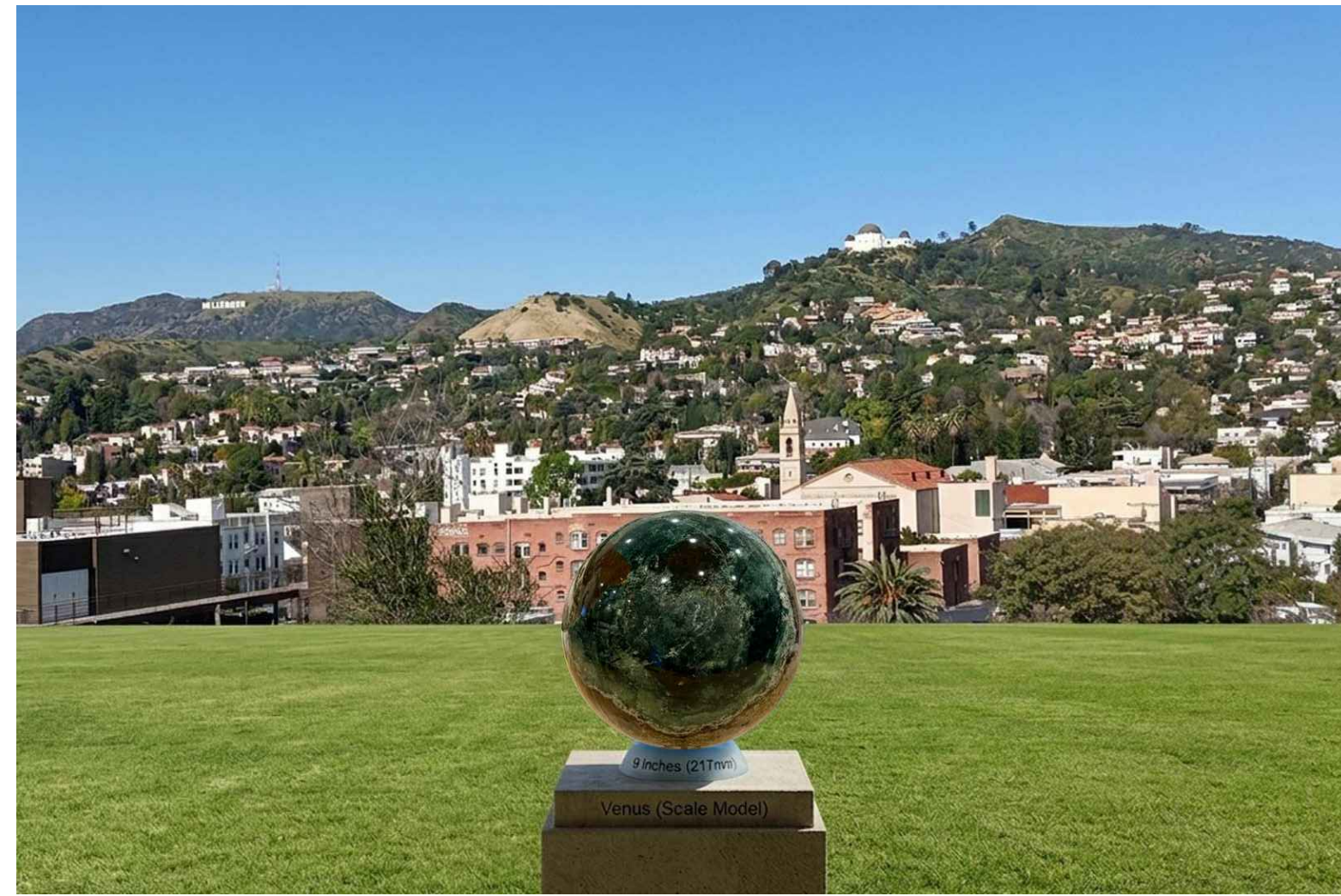
ELEVATION -  
SCALE: FULL SCALE

**FOR REVIEW**

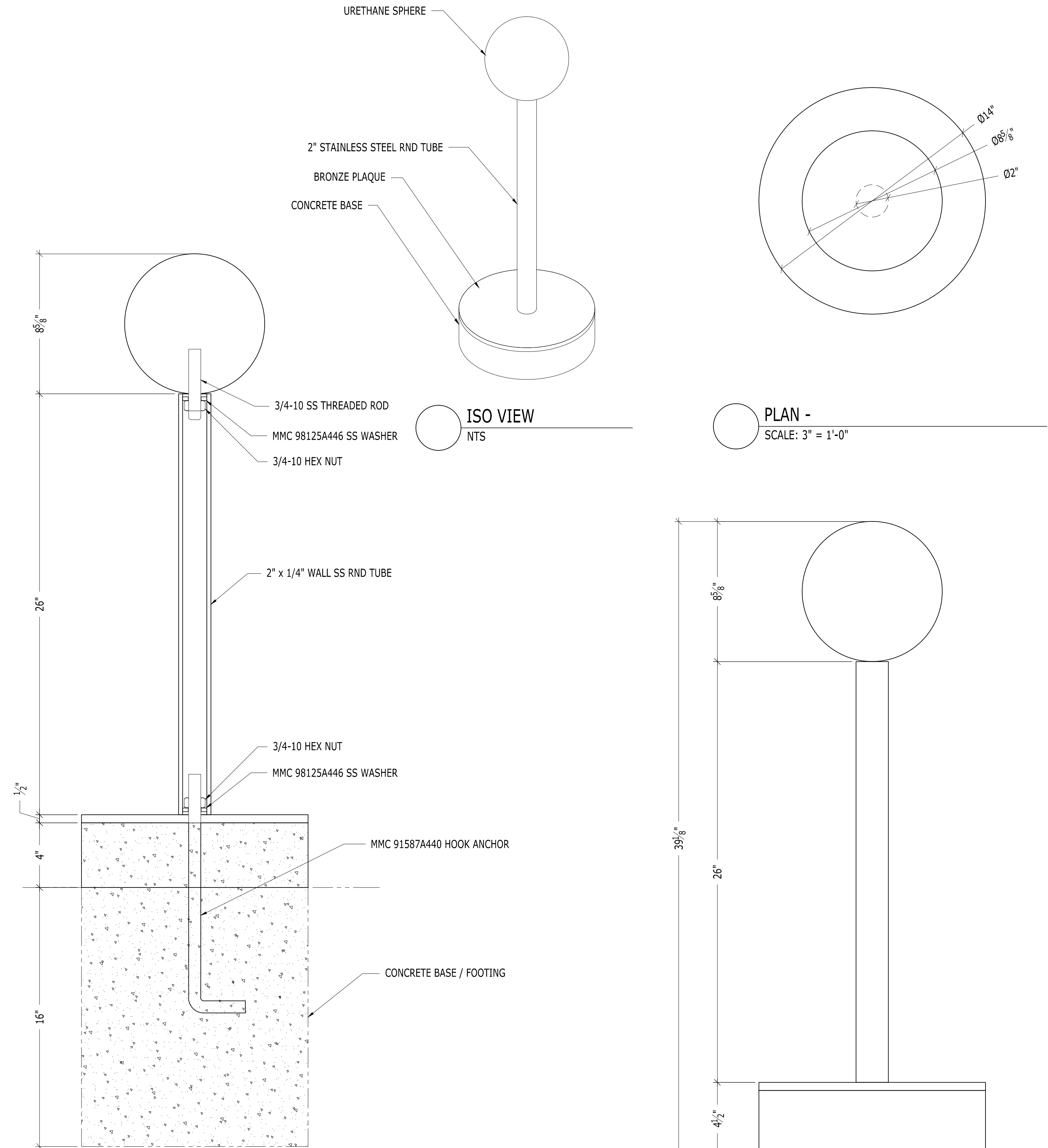
**1** SECTION - INSTALLATION  
SCALE: HALF SCALE

**B** ELEVATION - COMPANION GRAPHIC  
SCALE: HALF SCALE

**A** ELEVATION -  
SCALE: FULL SCALE



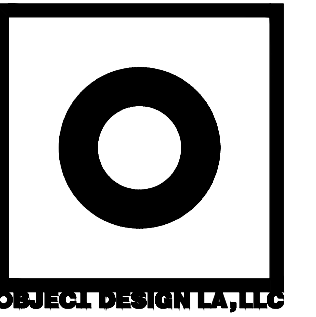
**A** PLAN DETAIL - BRONZE  
SCALE: HALF SCALE

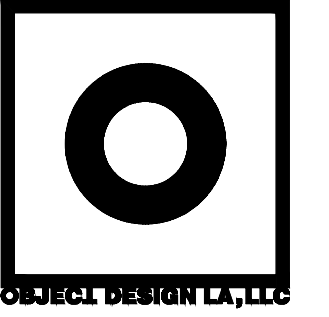


**1** SECTION -  
SCALE: 3" = 1'-0"

**A** ELEVATION -  
SCALE: 3" = 1'-0"

FOR REVIEW





**JACK ANDERSON**  
FABRICATION DESIGN

3326 CAZADOR STREET  
LOS ANGELES CA 90065  
623-419-4802  
jack4congrss@protonmail.com

**LOS ANGELES SOLAR SYSTEM PROJECT**  
**EARTH AND MOON**

2800 E. Observatory Rd  
Los Angeles, CA 90027

DRAWN BY  
**JACK**

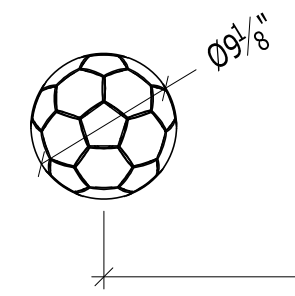
DRAWING DATE  
**2-5-2026**

REVISION DATE  
--/--/----

TITLE  
**ELEVATION, SECTIONS**

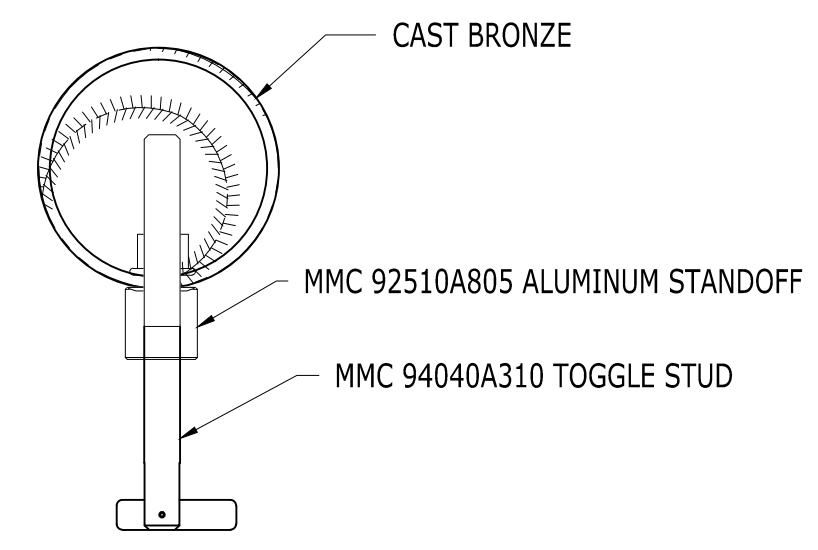
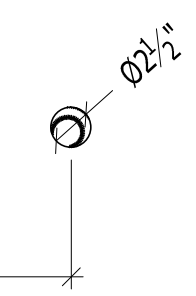
SCALE  
**AS NOTED**

SHEET  
**EA300**

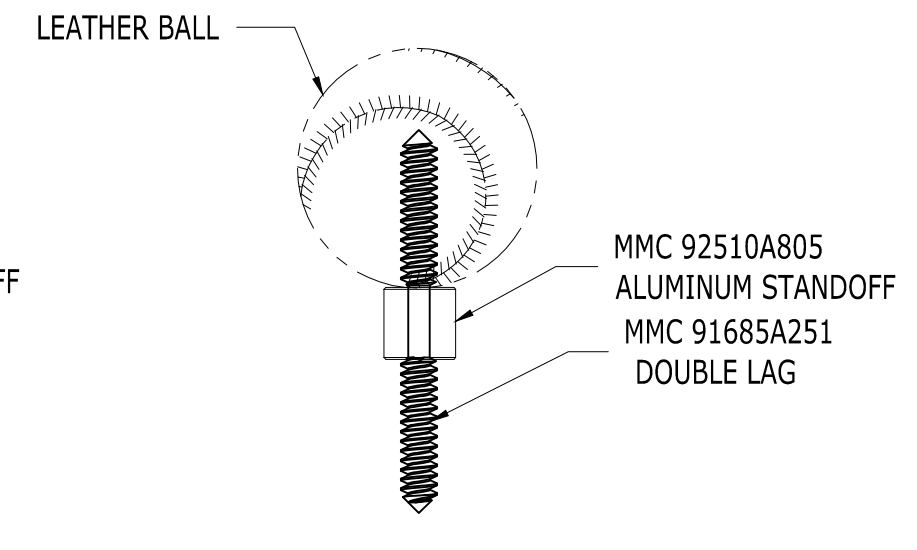


PLAN -  
SCALE: 1" = 1'-0"

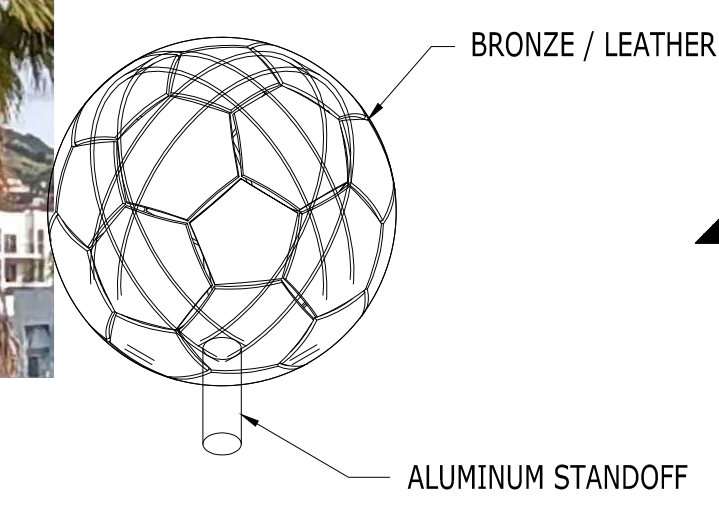
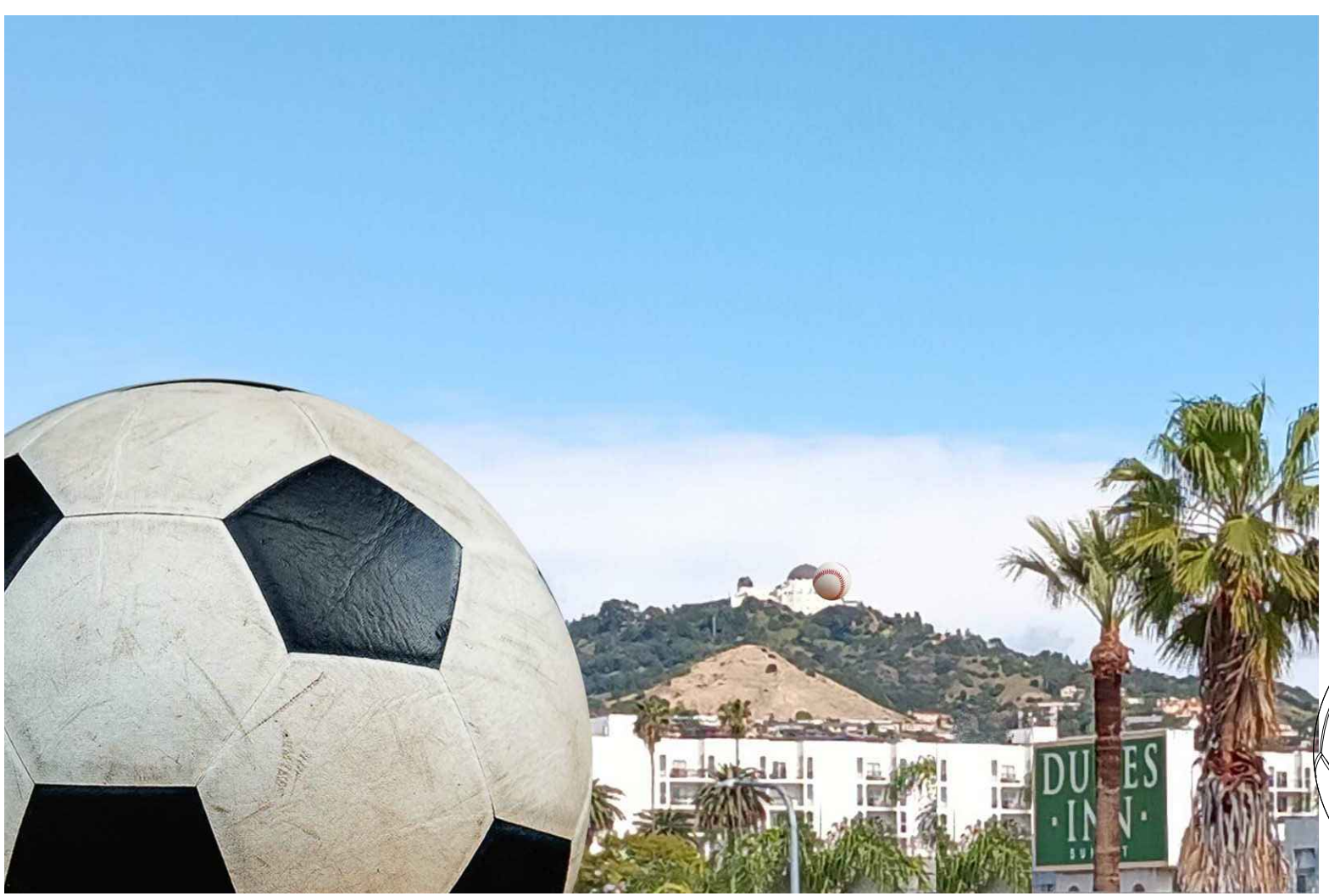
22'-10"



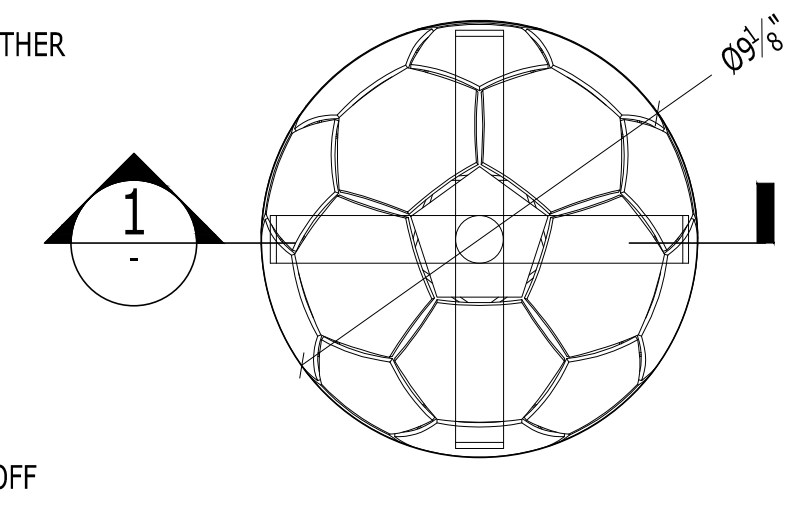
**1** SECTION - BRONZE  
SCALE: HALF SCALE



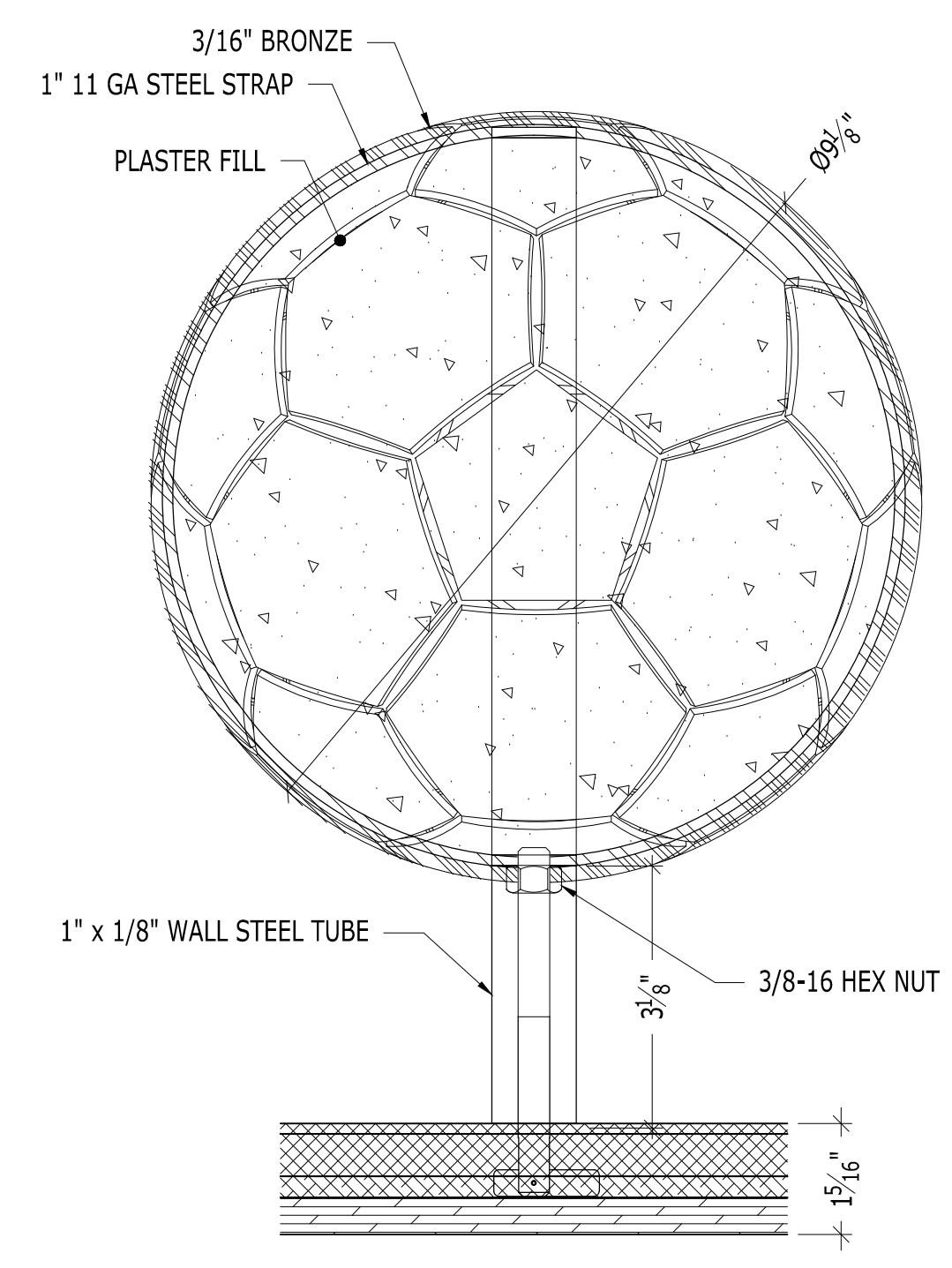
**2** SECTION - REAL BALL  
SCALE: HALF SCALE



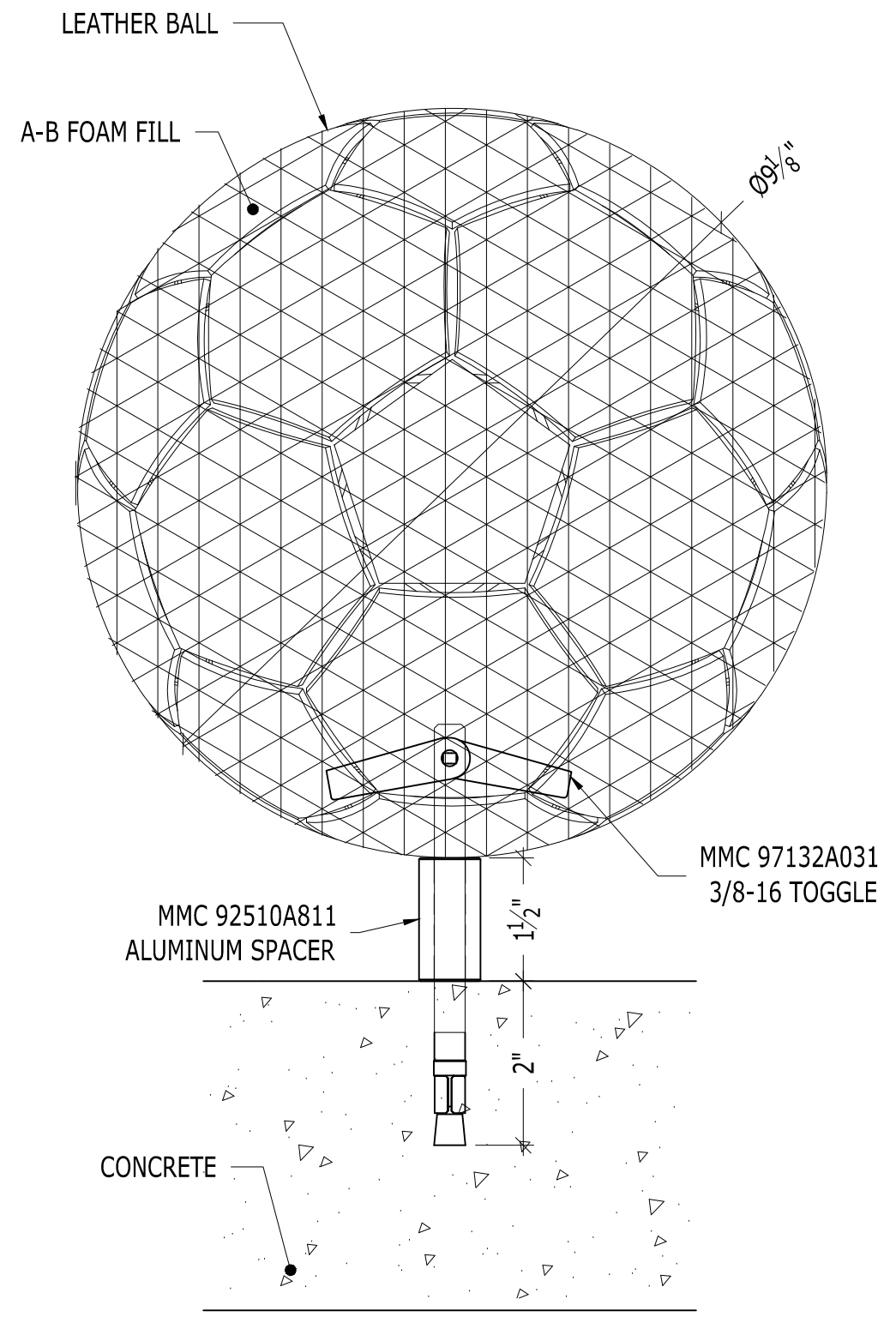
ISO VIEW  
NTS



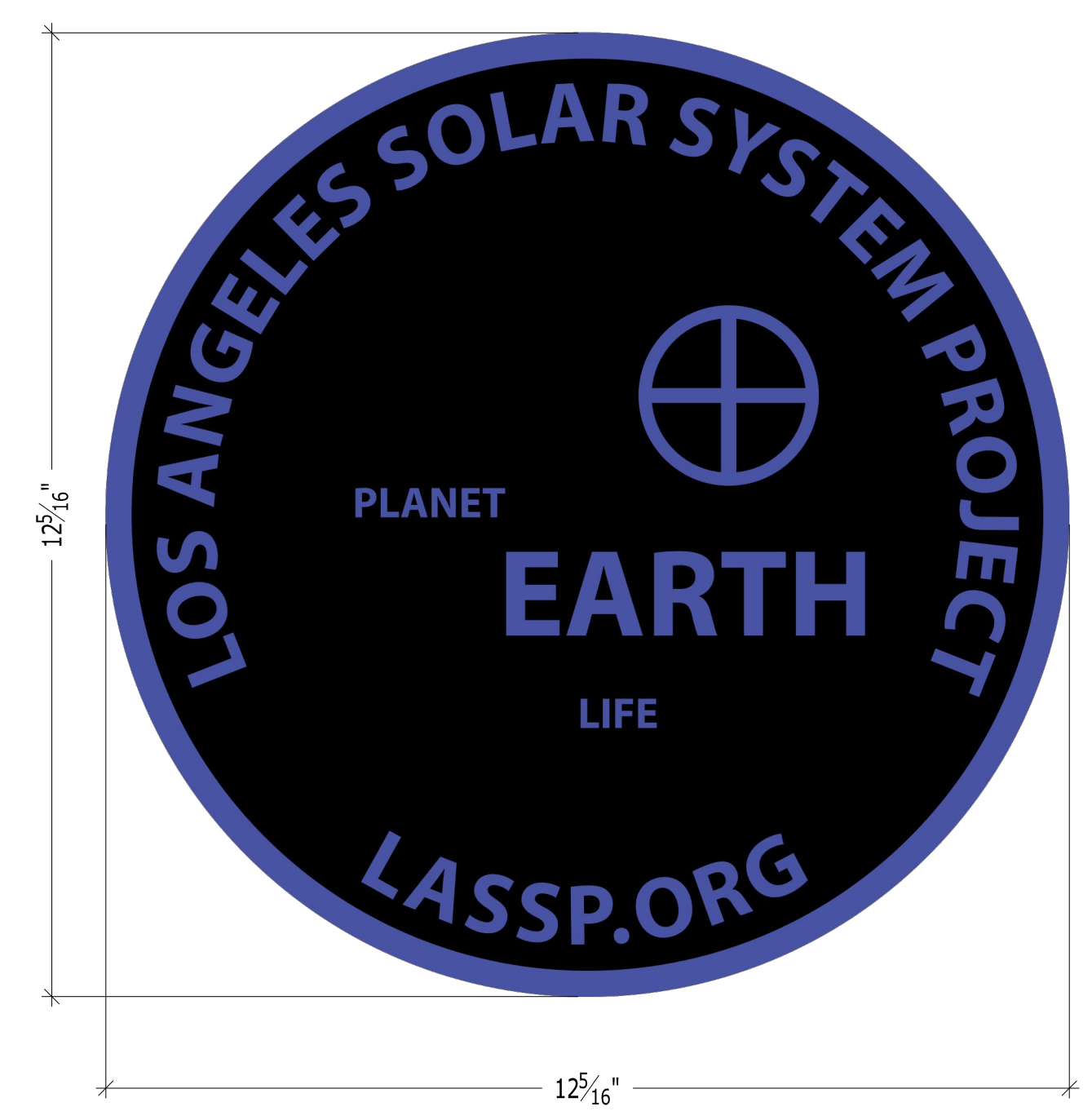
PLAN -  
SCALE: 3" = 1'-0"



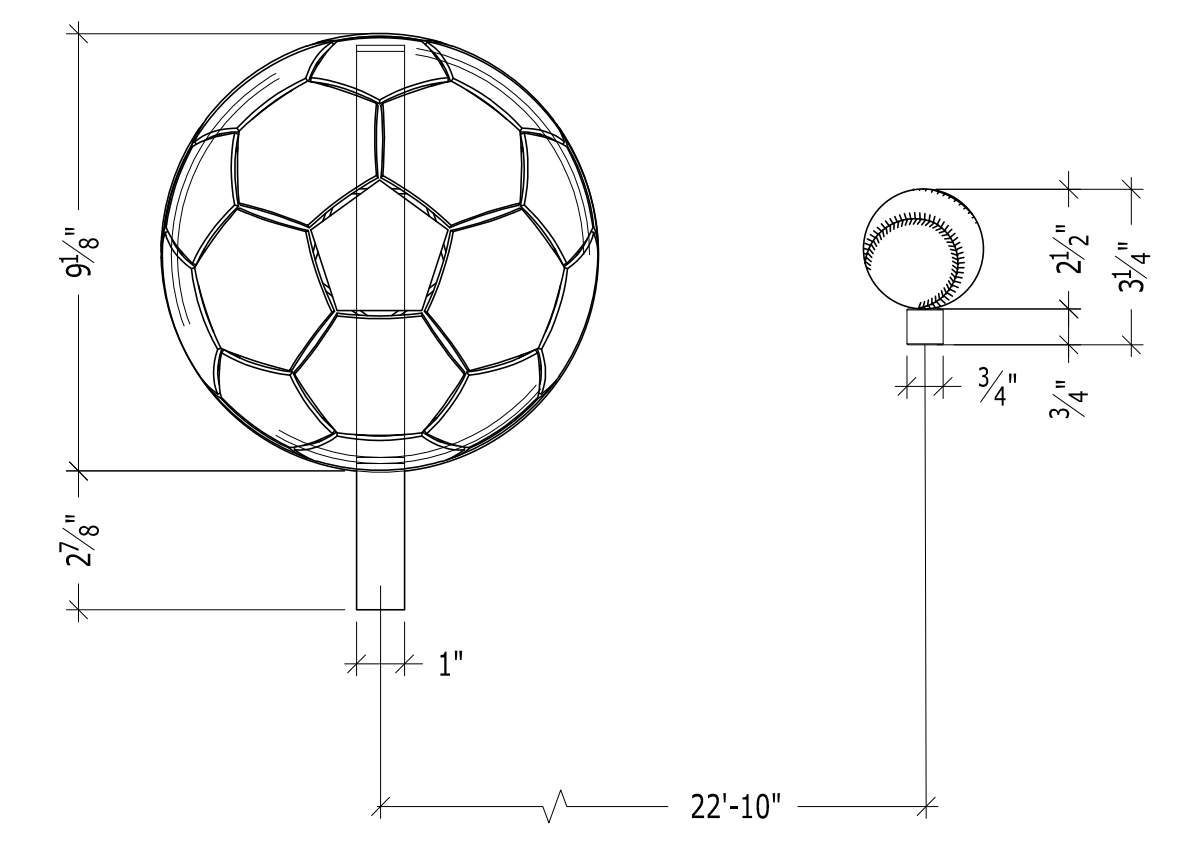
**1** SECTION - BRONZE  
SCALE: HALF SCALE



**2** SECTION - REAL BALL  
SCALE: HALF SCALE

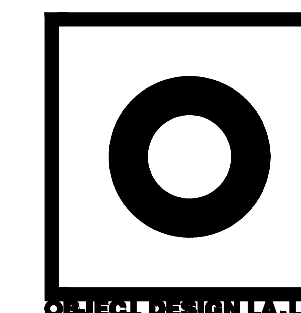


**B** ELEVATION - COMPANION GRAPHIC  
SCALE: HALF SCALE



**A** ELEVATION -  
SCALE: 3" = 1'-0"

**FOR REVIEW**



**JACK ANDERSON  
FABRICATION DESIGN**

3326 CAZADOR STREET  
LOS ANGELES CA 90065  
623-419-4802  
jack4congrss@protonmail.com

**LOS ANGELES SOLAR SYSTEM PROJECT**  
**WALL MOUNT MARS**

2800 E. Observatory Rd  
Los Angeles, CA 90027

DRAWN BY  
**JACK**

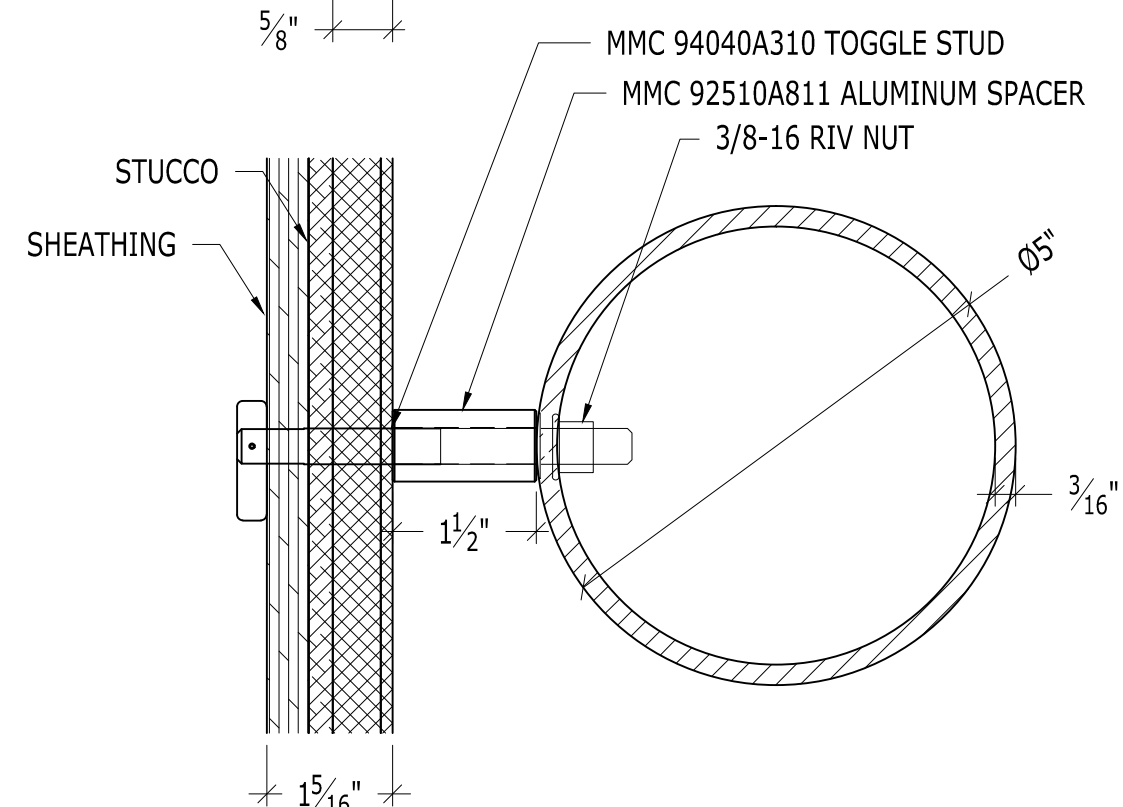
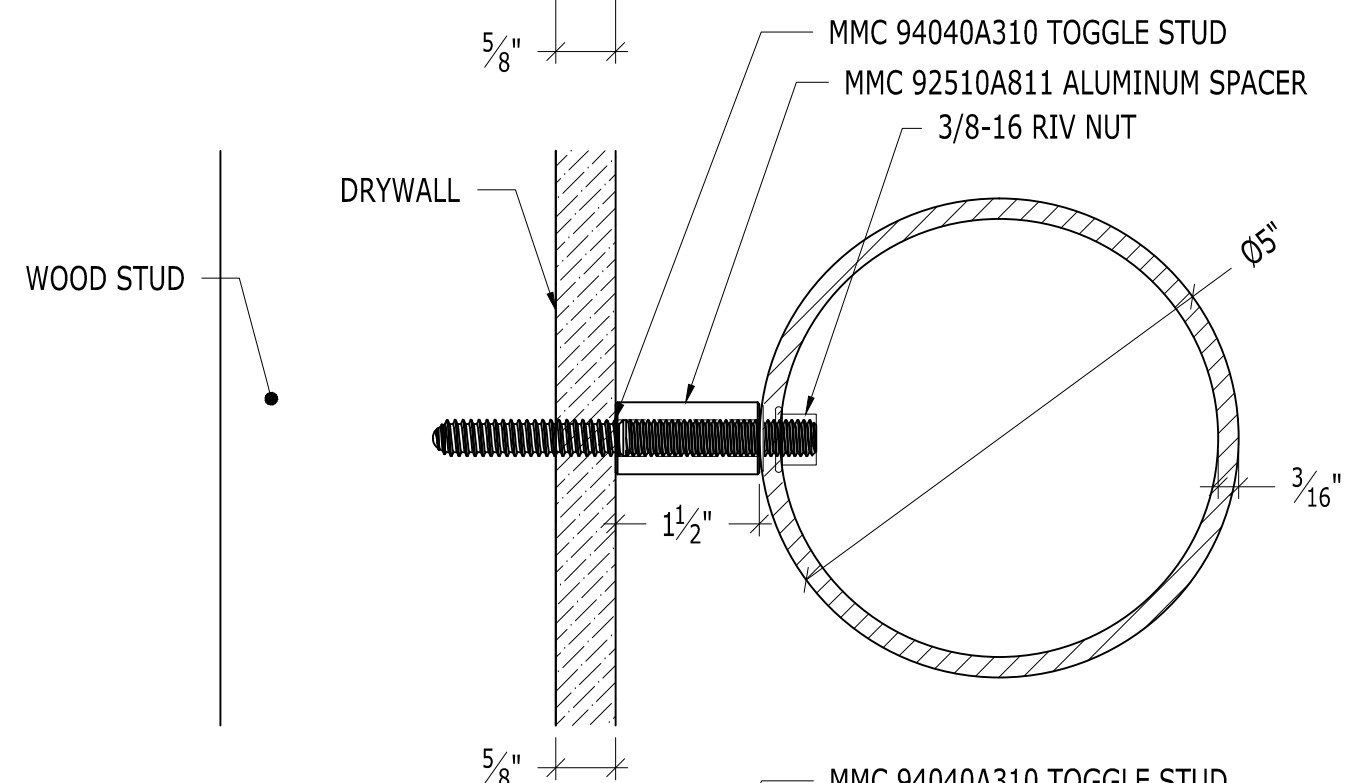
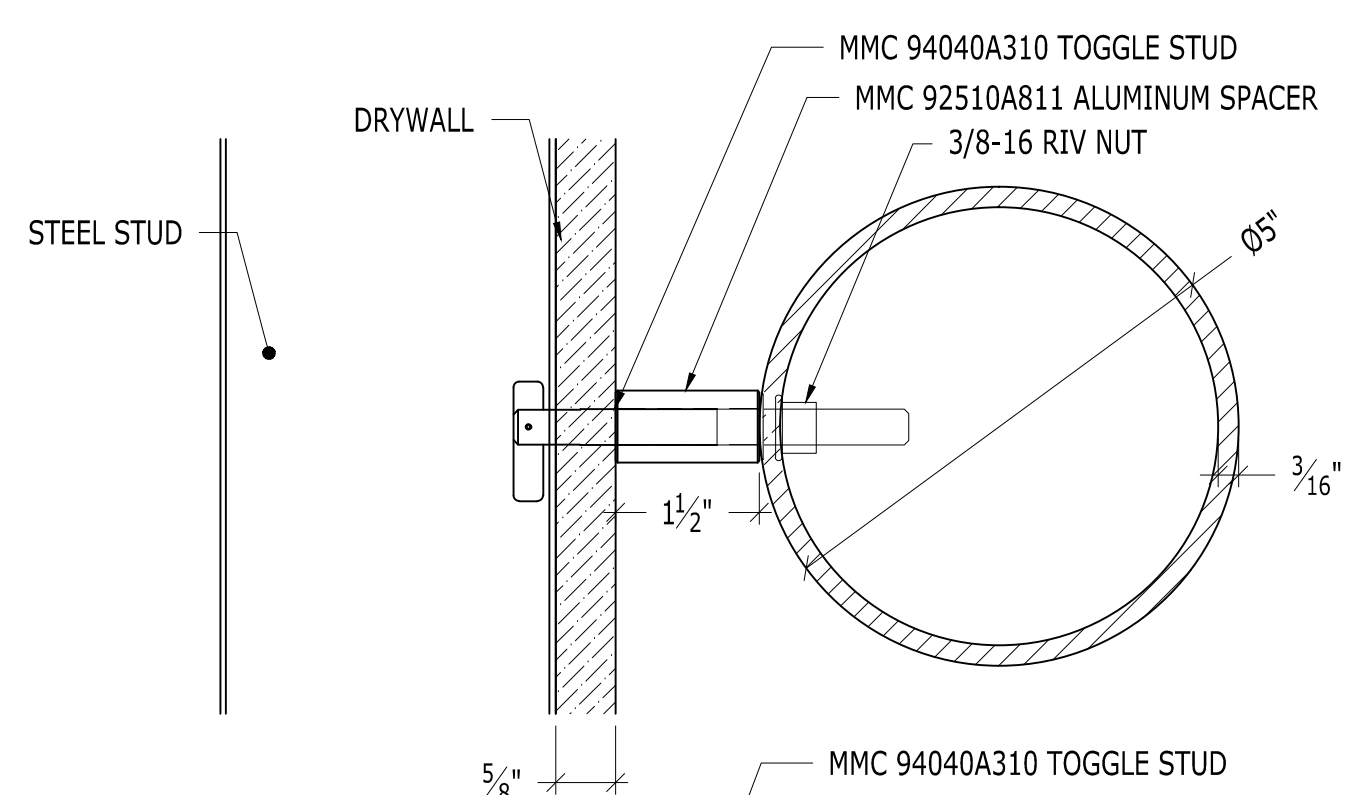
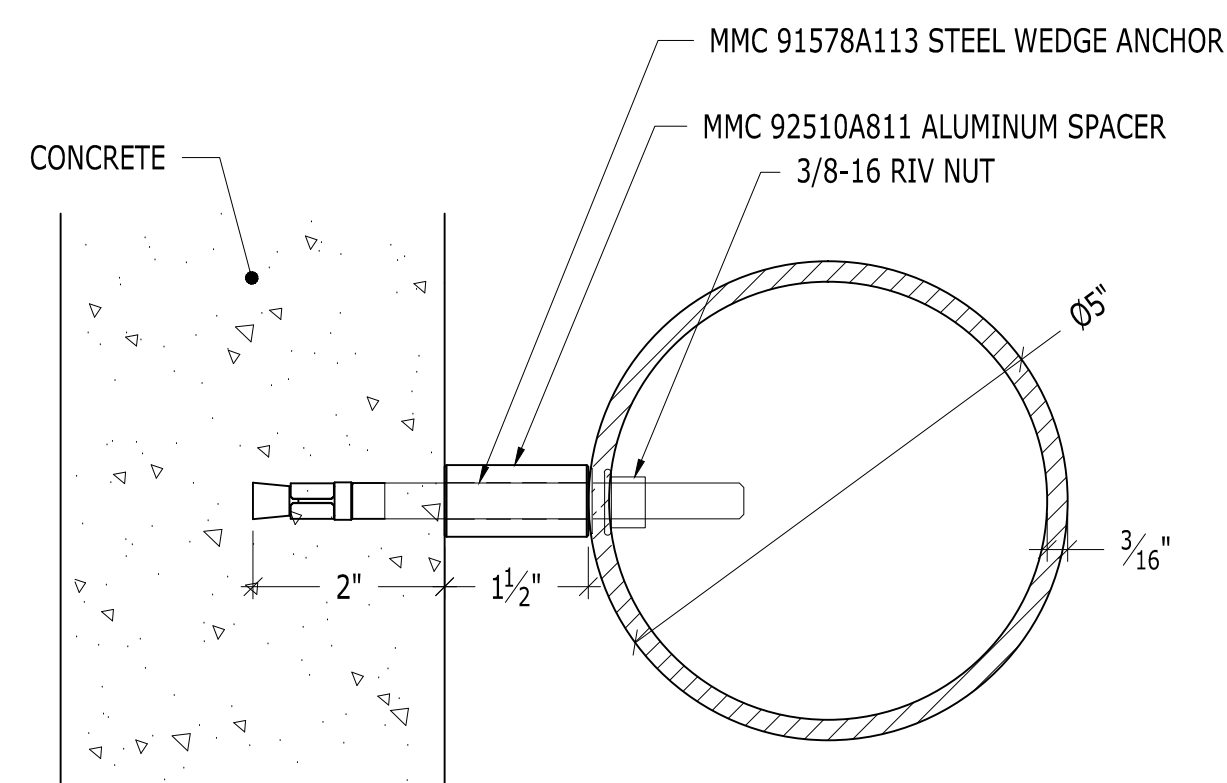
DRAWING DATE  
**2-5-2026**

REVISION DATE  
--/--/----

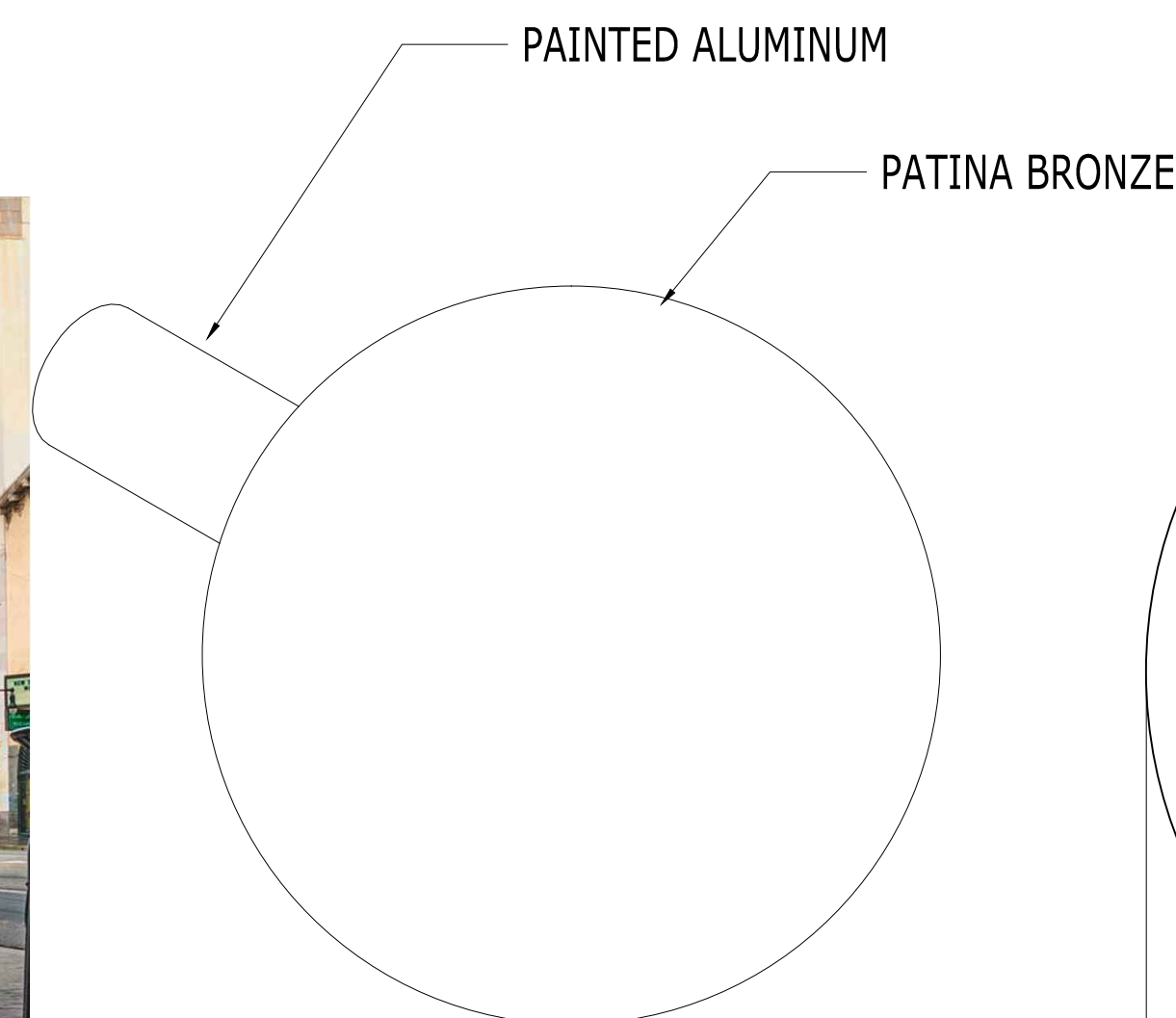
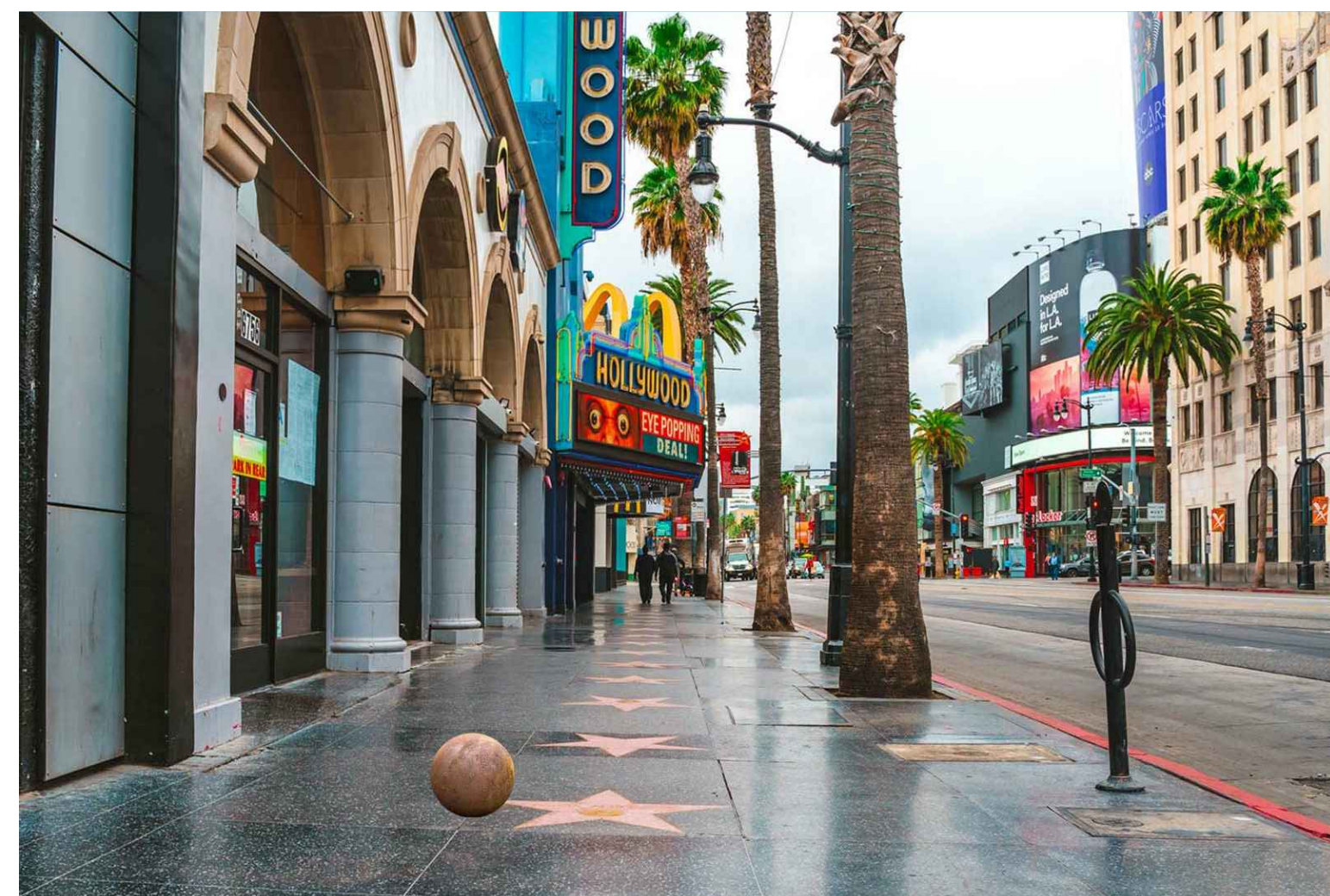
TITLE  
**ELEVATION, SECTIONS**

SCALE  
**AS NOTED**

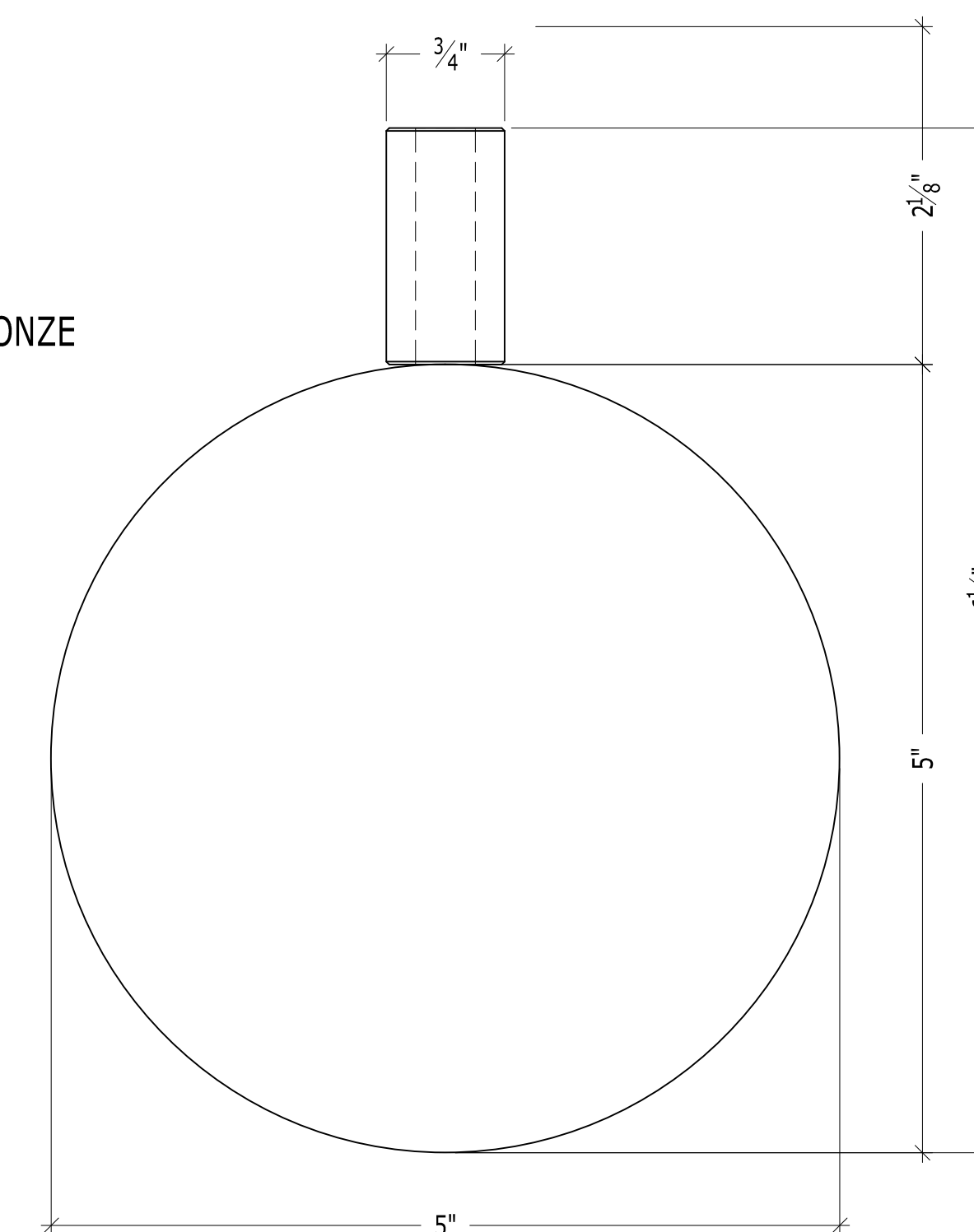
SHEET  
**MA400**



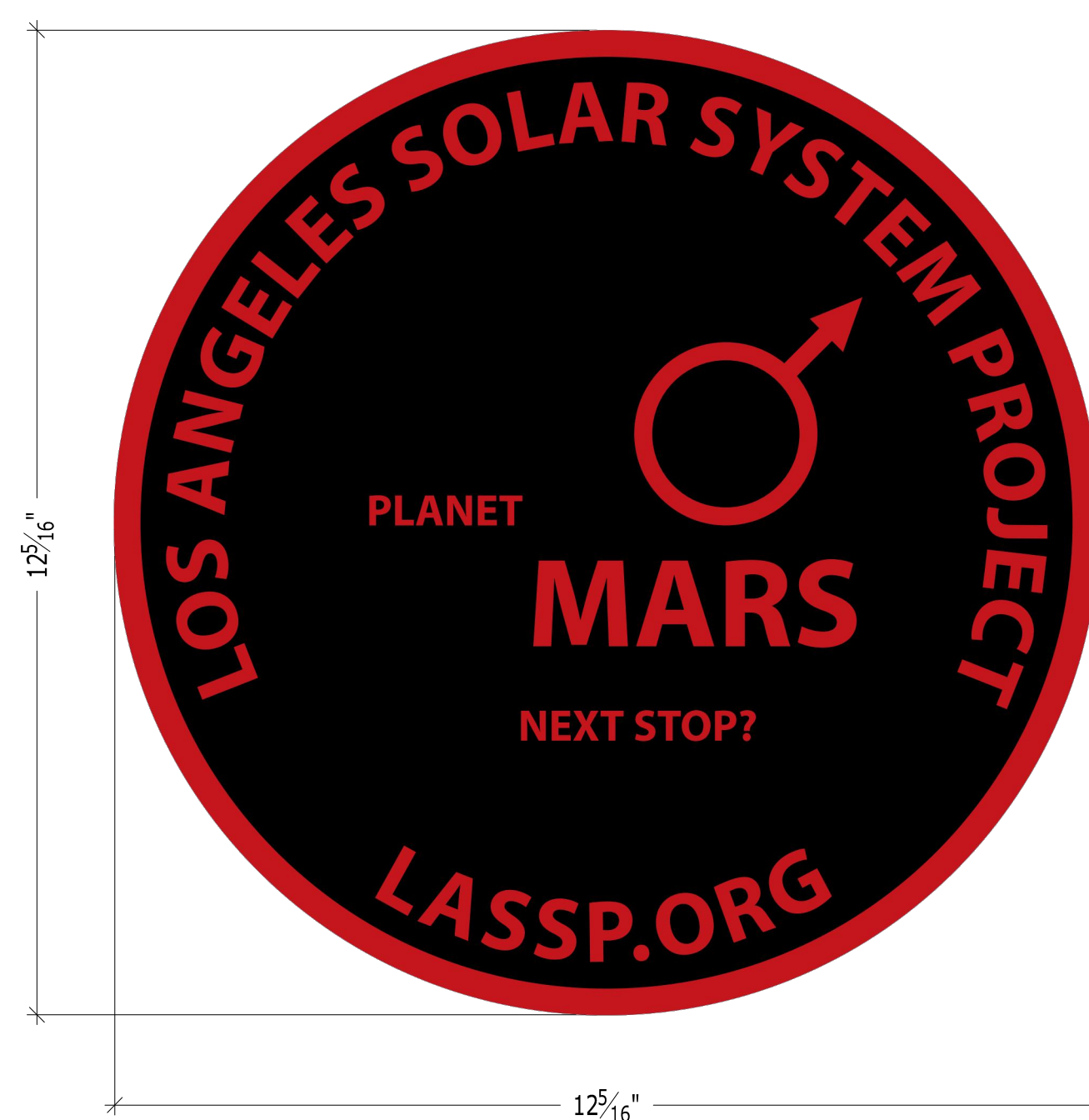
**1** SECTION - INSTALLATION  
SCALE: HALF SCALE



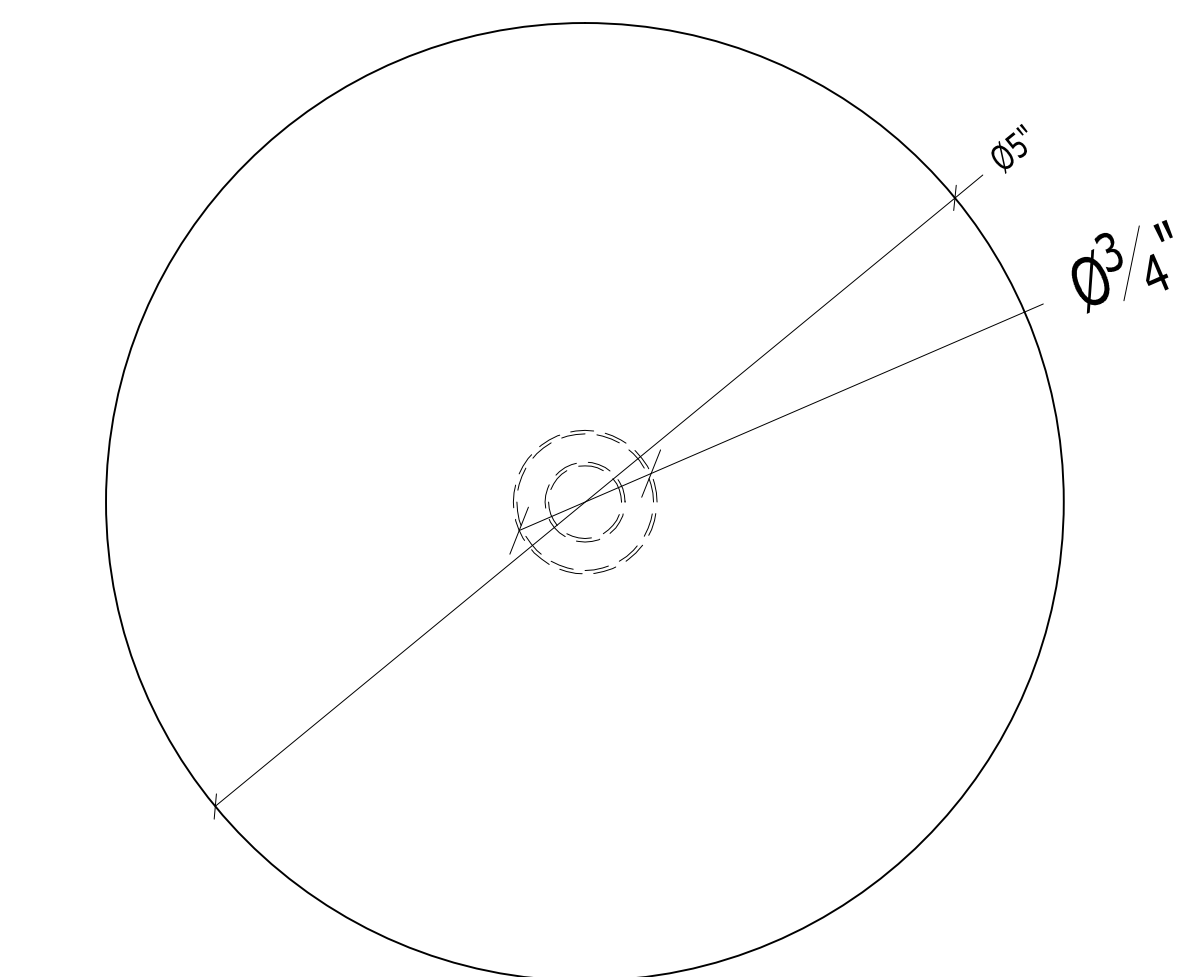
**ISO VIEW**  
NTS



**PLAN -**  
SCALE: FULL SCALE

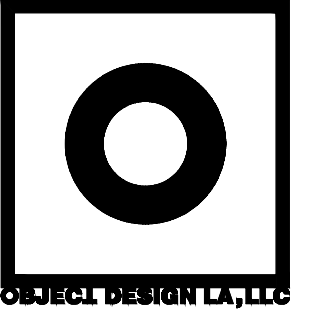


**B** ELEVATION - COMPANION GRAPHIC  
SCALE: HALF SCALE



**A** ELEVATION -  
SCALE: FULL SCALE

**FOR REVIEW**



**JACK ANDERSON**  
FABRICATION DESIGN

3326 CAZADOR STREET  
LOS ANGELES CA 90065  
623-419-4802  
jack4congrss@protonmail.com

**LOS ANGELES SOLAR SYSTEM PROJECT**  
WALL MOUNT  
DWARF PLANET / ASTEROID

2800 E. Observatory Rd  
Los Angeles, CA 90027

DRAWN BY  
JACK

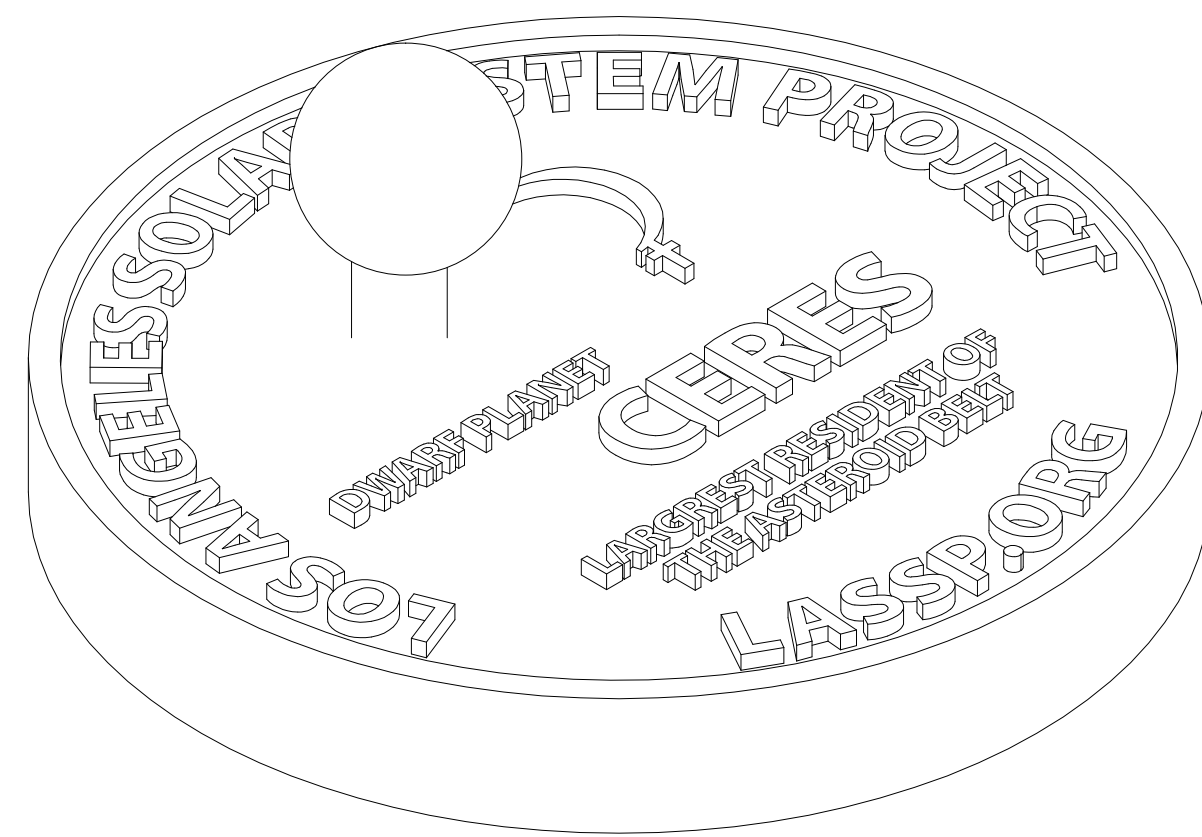
DRAWING DATE  
2-5-2026

REVISION DATE  
--/--/----

TITLE  
ELEVATION, SECTIONS

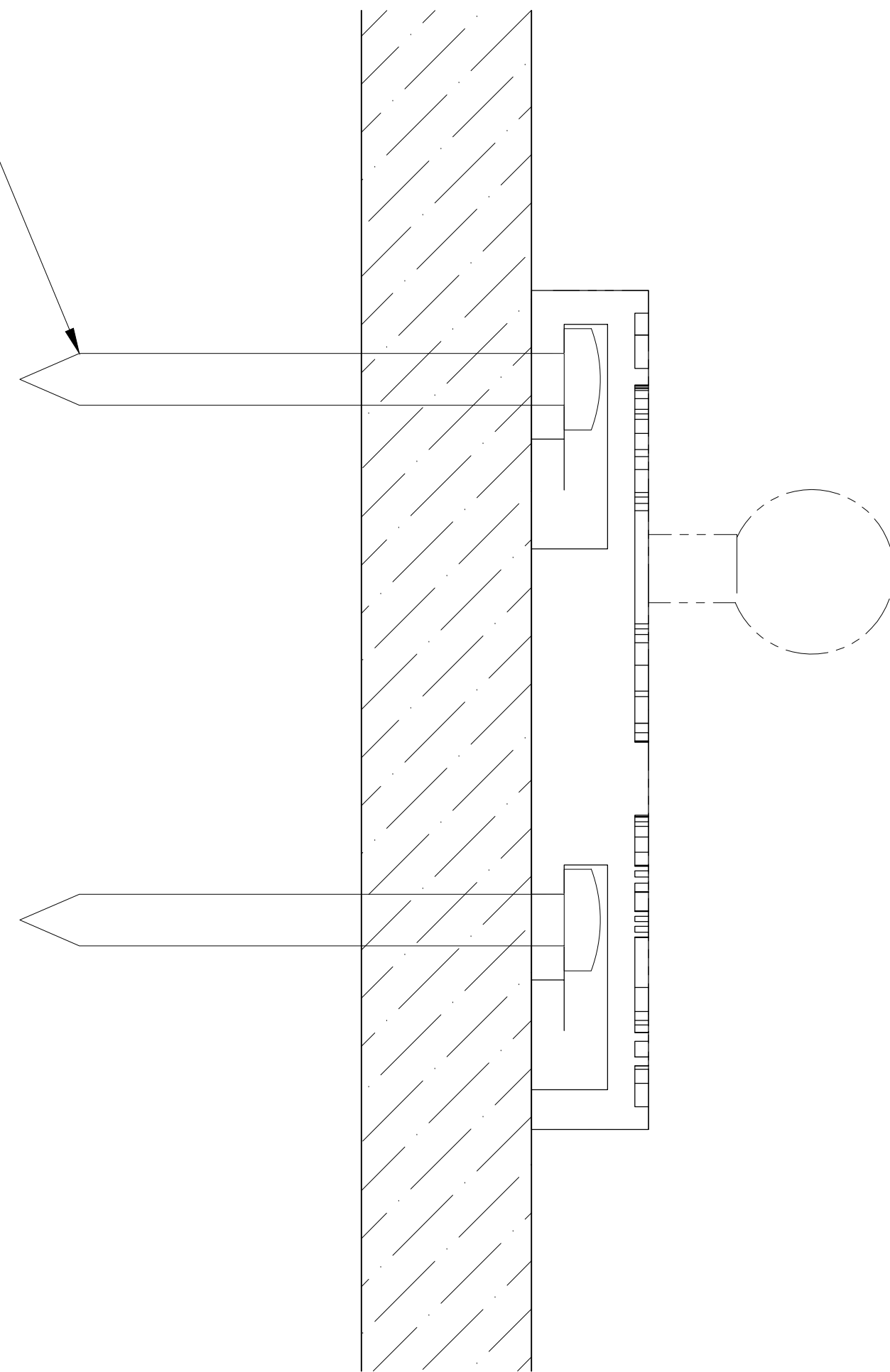
SCALE  
AS NOTED

SHEET  
CE500

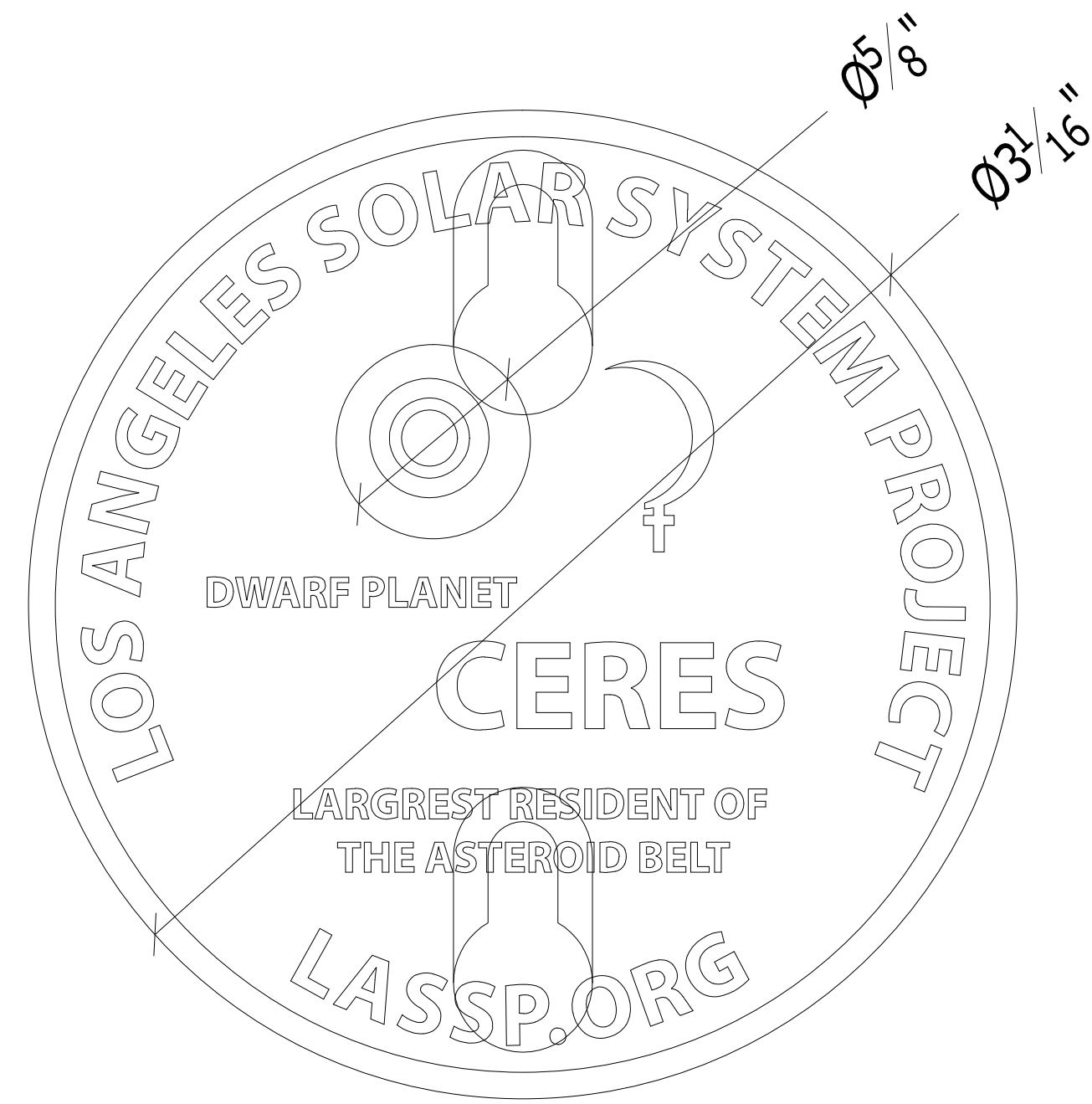


ISO VIEW  
NTS

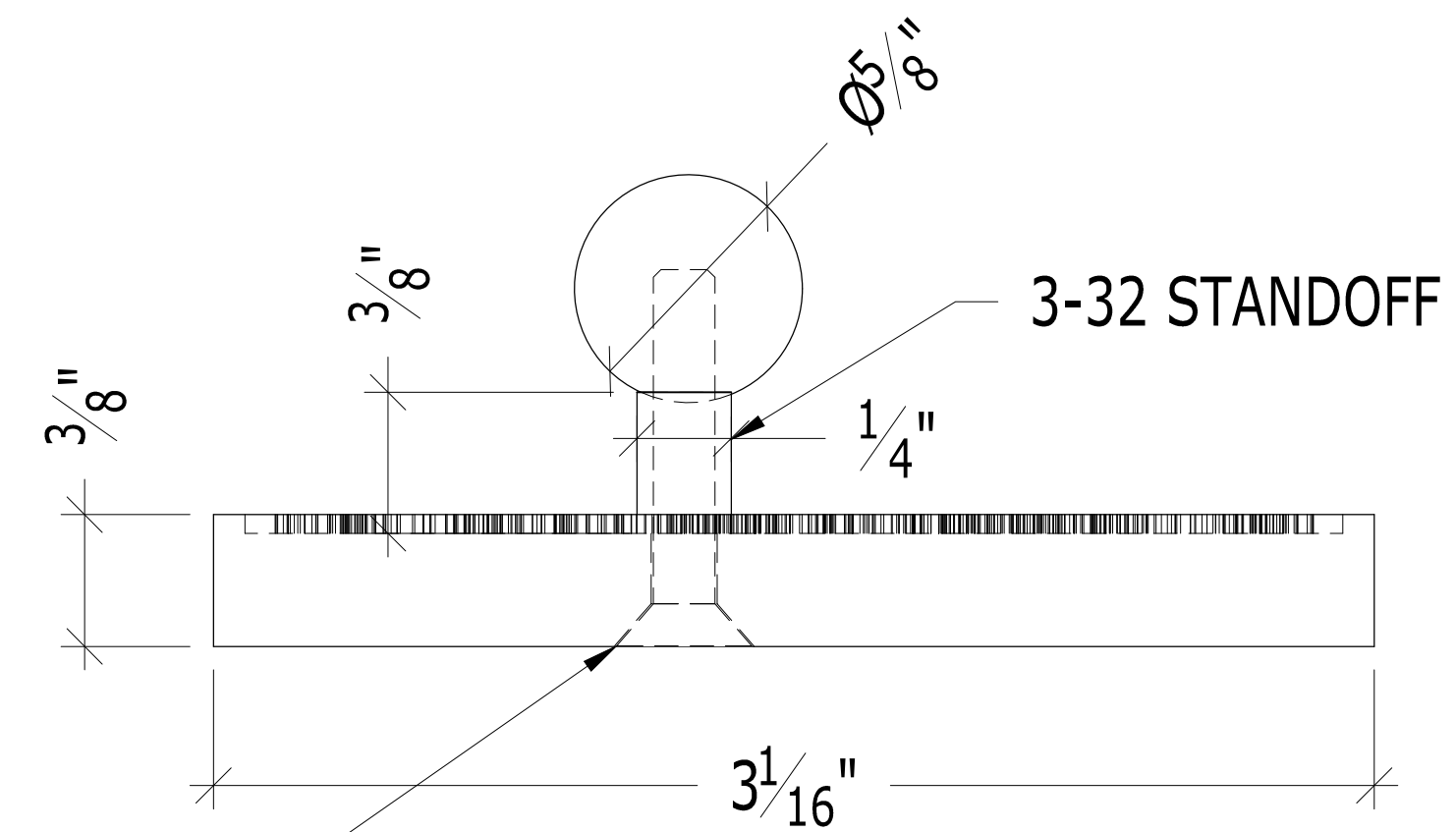
2" #10 PHSMS  
SECURE TO STUD



1 SECTION -  
SCALE: FULL SCALE



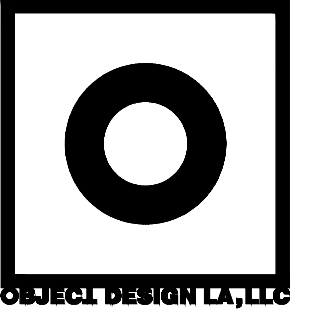
PLAN -  
SCALE: FULL SCALE



8-32 x 1" F.HD. MACH. SCREW

A ELEVATION -  
SCALE: FULL SCALE

**FOR REVIEW**



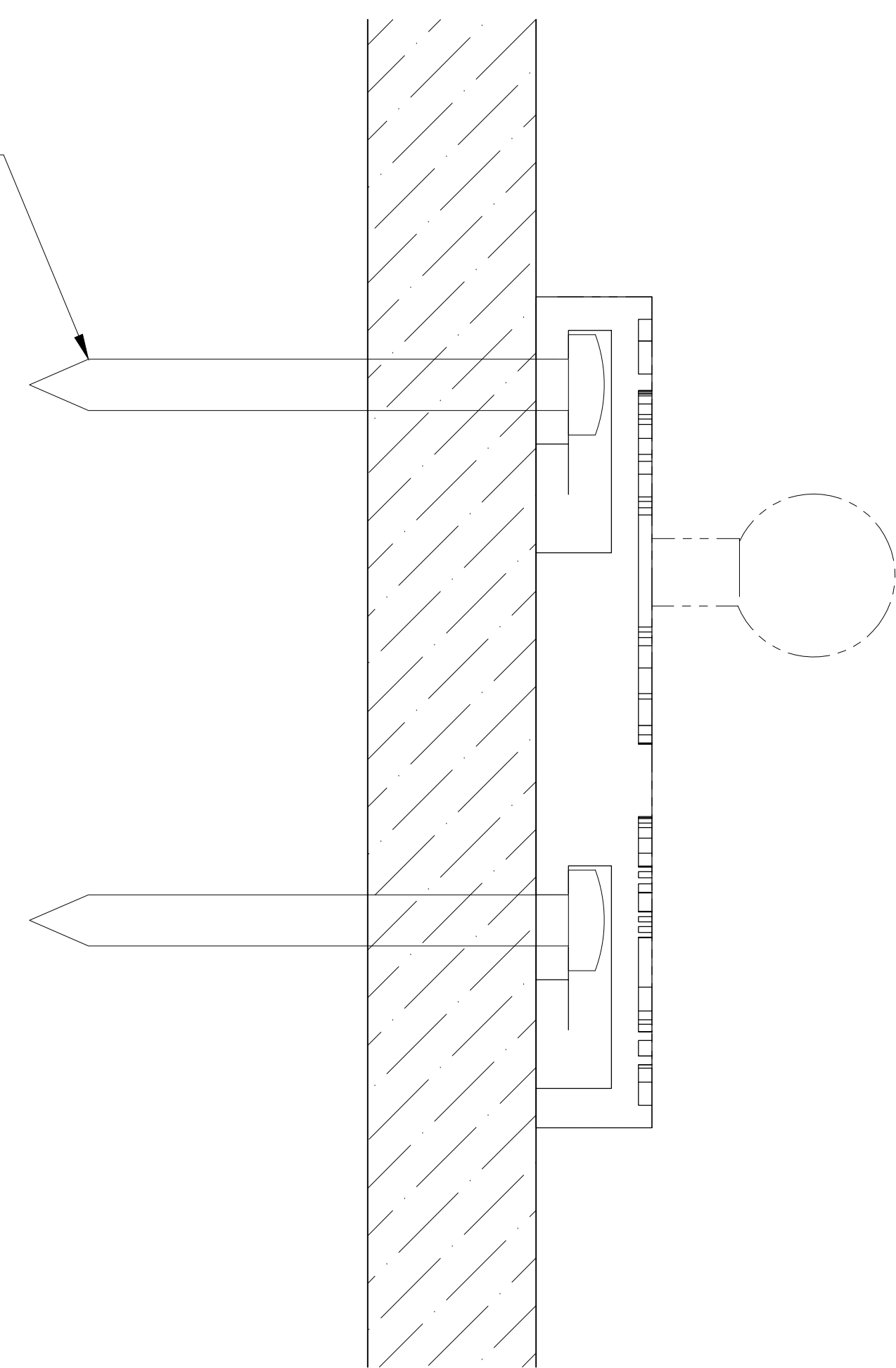
**JACK ANDERSON**  
**FABRICATION DESIGN**  
 3326 CAZADOR STREET  
 LOS ANGELES CA 90065  
 623-419-4802  
 jack4congrss@protonmail.com

**LOS ANGELES SOLAR SYSTEM PROJECT**  
 WALL MOUNT  
 DWARF PLANET / ASTEROID  
 2800 E. Observatory Rd  
 Los Angeles, CA 90027

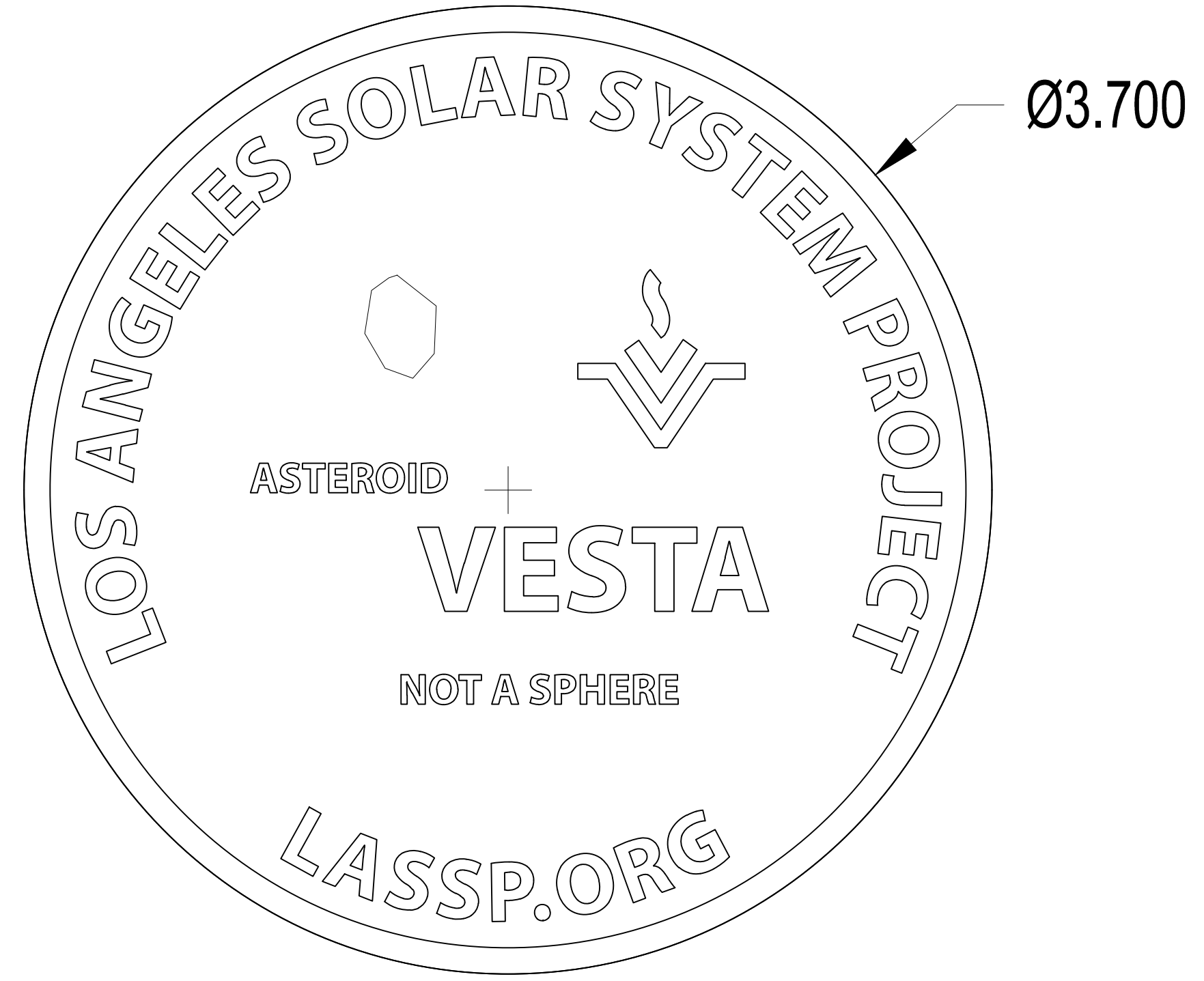
DRAWN BY  
**JACK**  
 DRAWING DATE  
 2-5-2026  
 REVISION DATE  
 --/--/----  
 TITLE  
 ELEVATION, SECTIONS  
 SCALE  
 AS NOTED  
 SHEET  
**CE501**



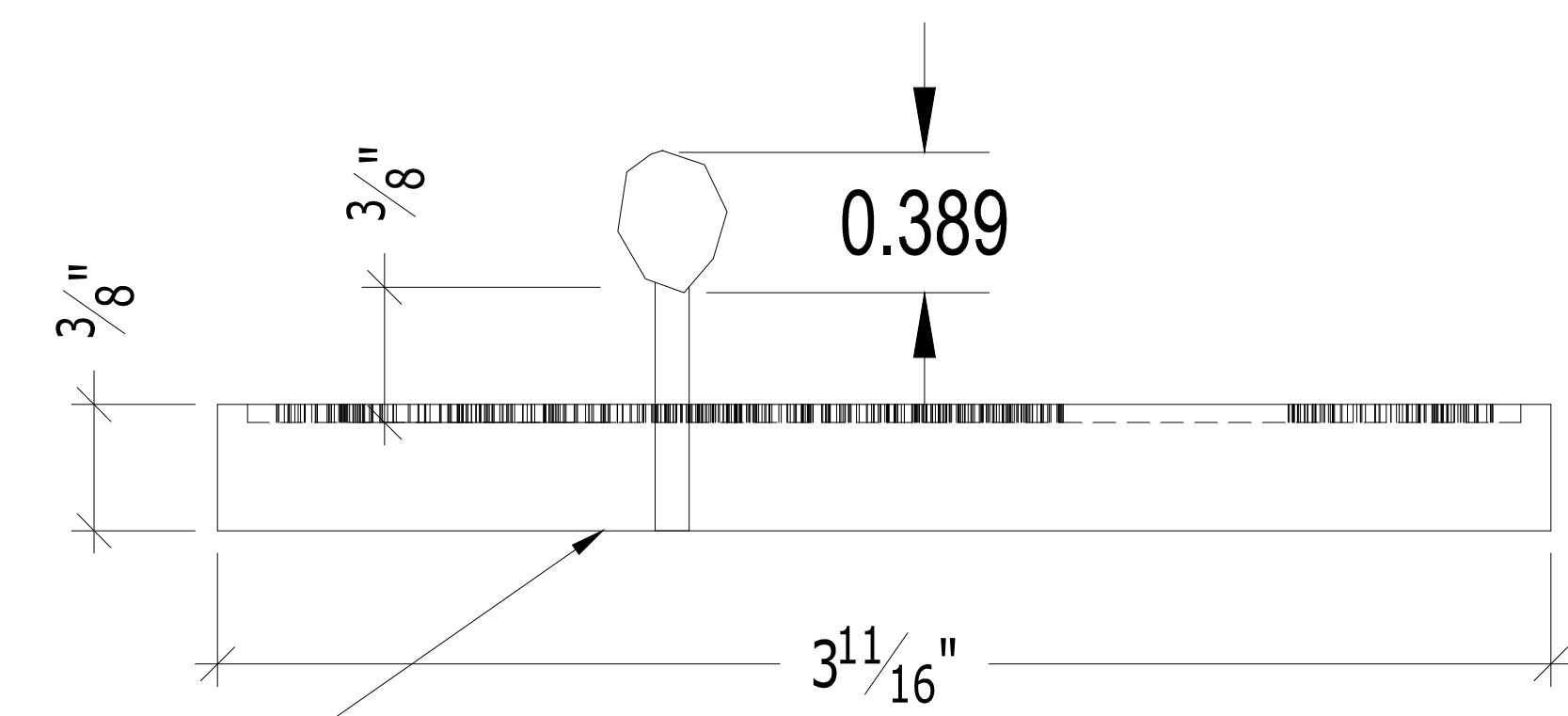
2" #10 PHSMS  
 SECURE TO STUD



**1** SECTION -  
 SCALE: FULL SCALE



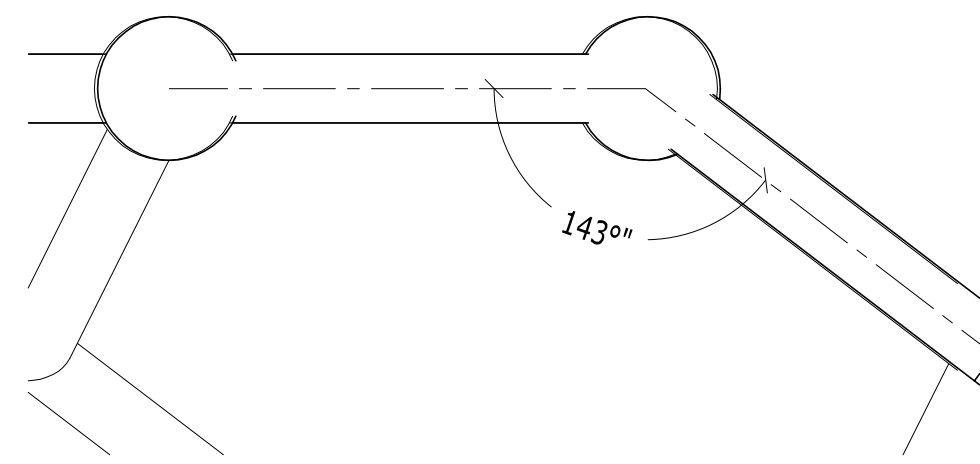
**PLAN** -  
 SCALE: FULL SCALE



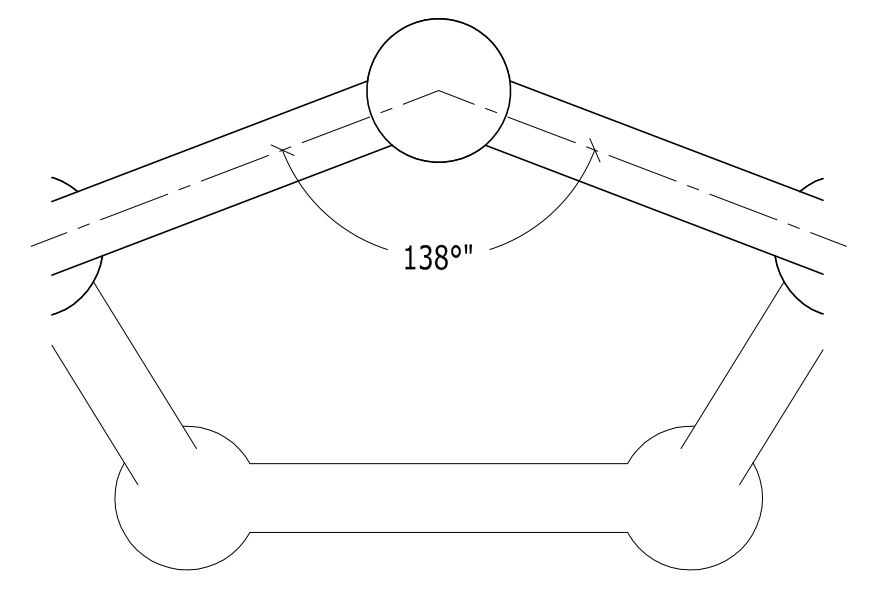
8-32 x 1" F.HD. MACH. SCREW

**A** ELEVATION -  
 SCALE: FULL SCALE

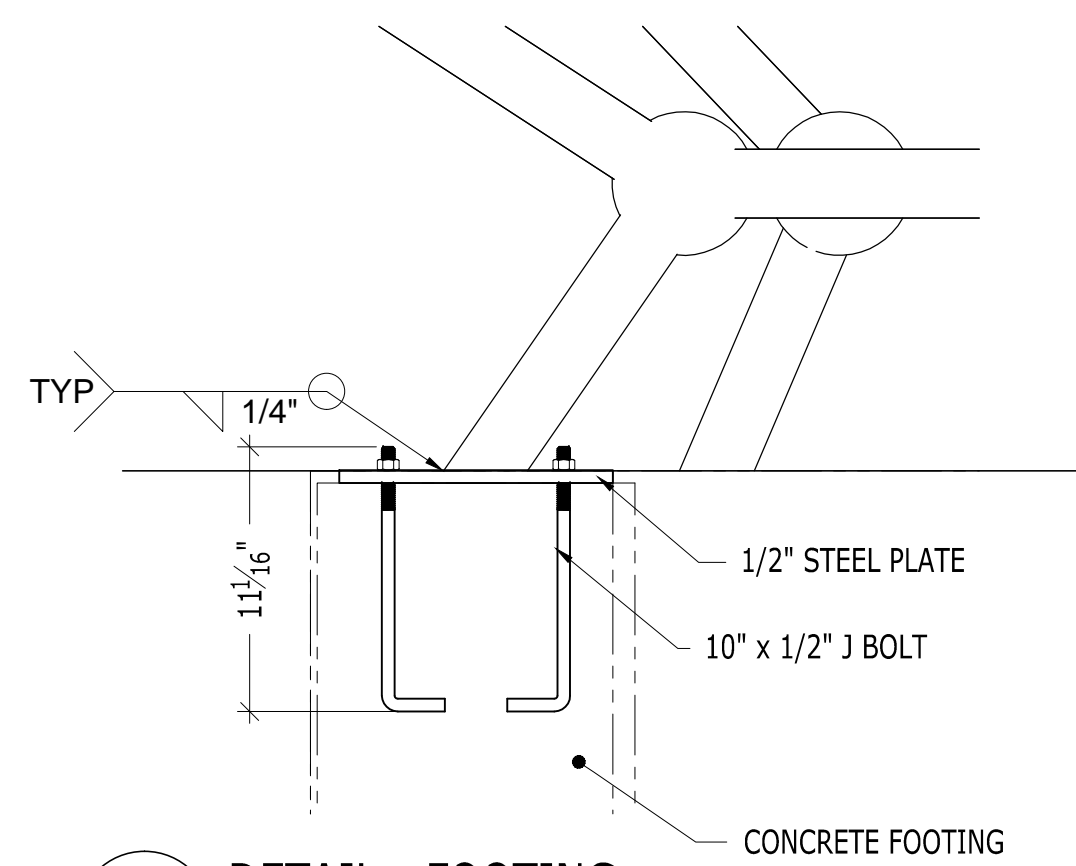
**FOR REVIEW**



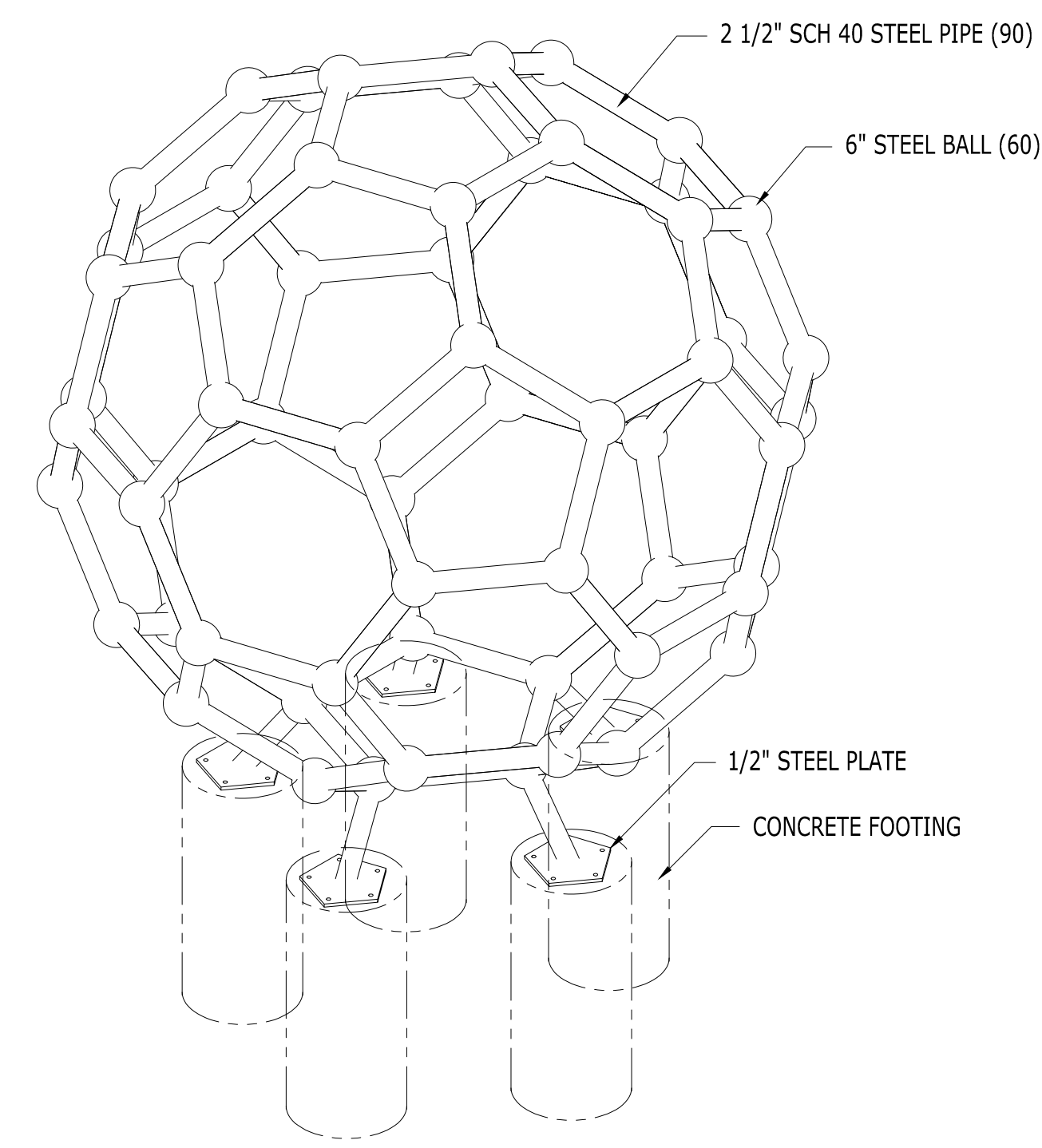
**3** DETAIL - HEXAGON TO PENTAGON  
SCALE: 1-1/2" = 1'-0"



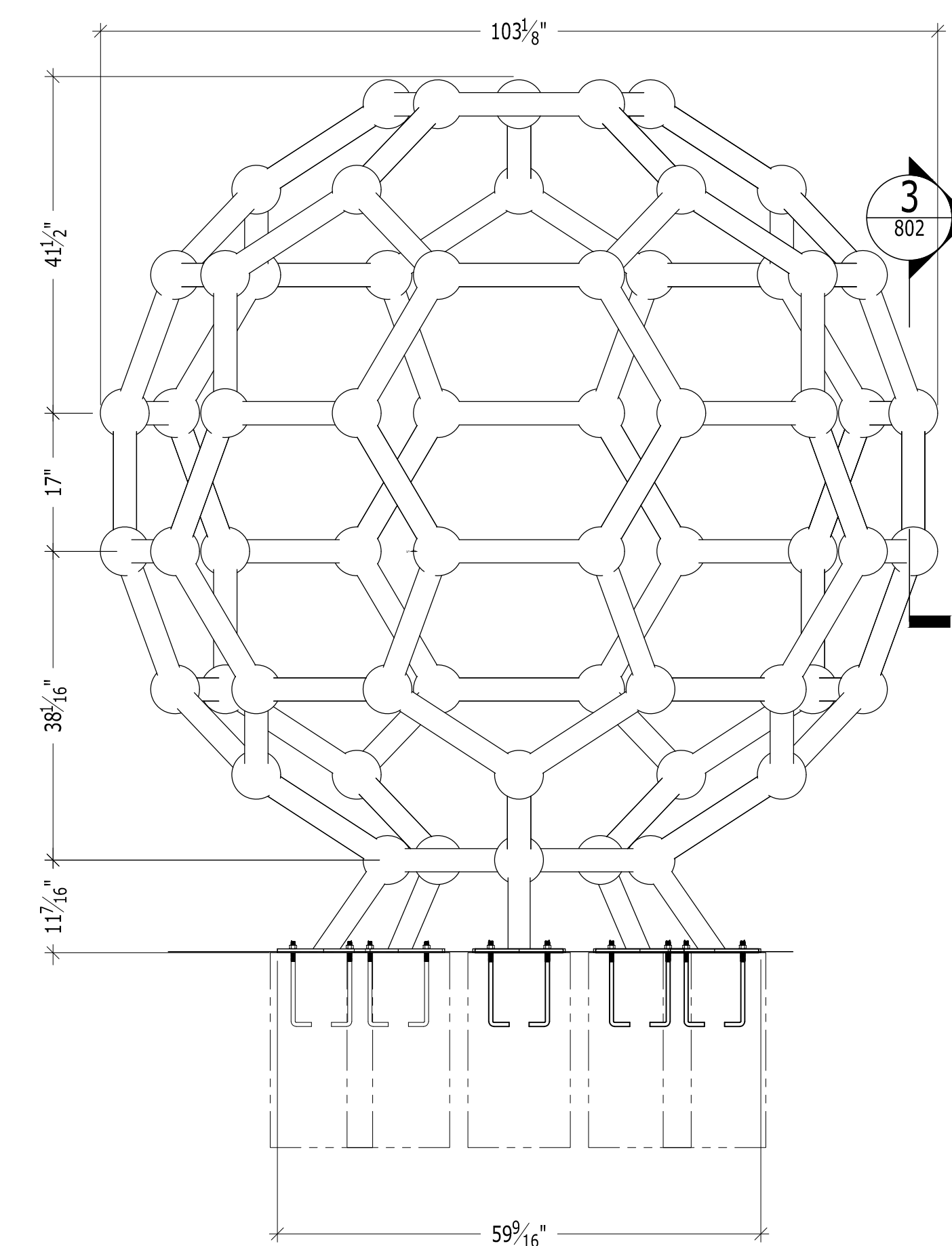
**2** DETAIL - HEXAGON TO HEXAGON  
SCALE: 1-1/2" = 1'-0"



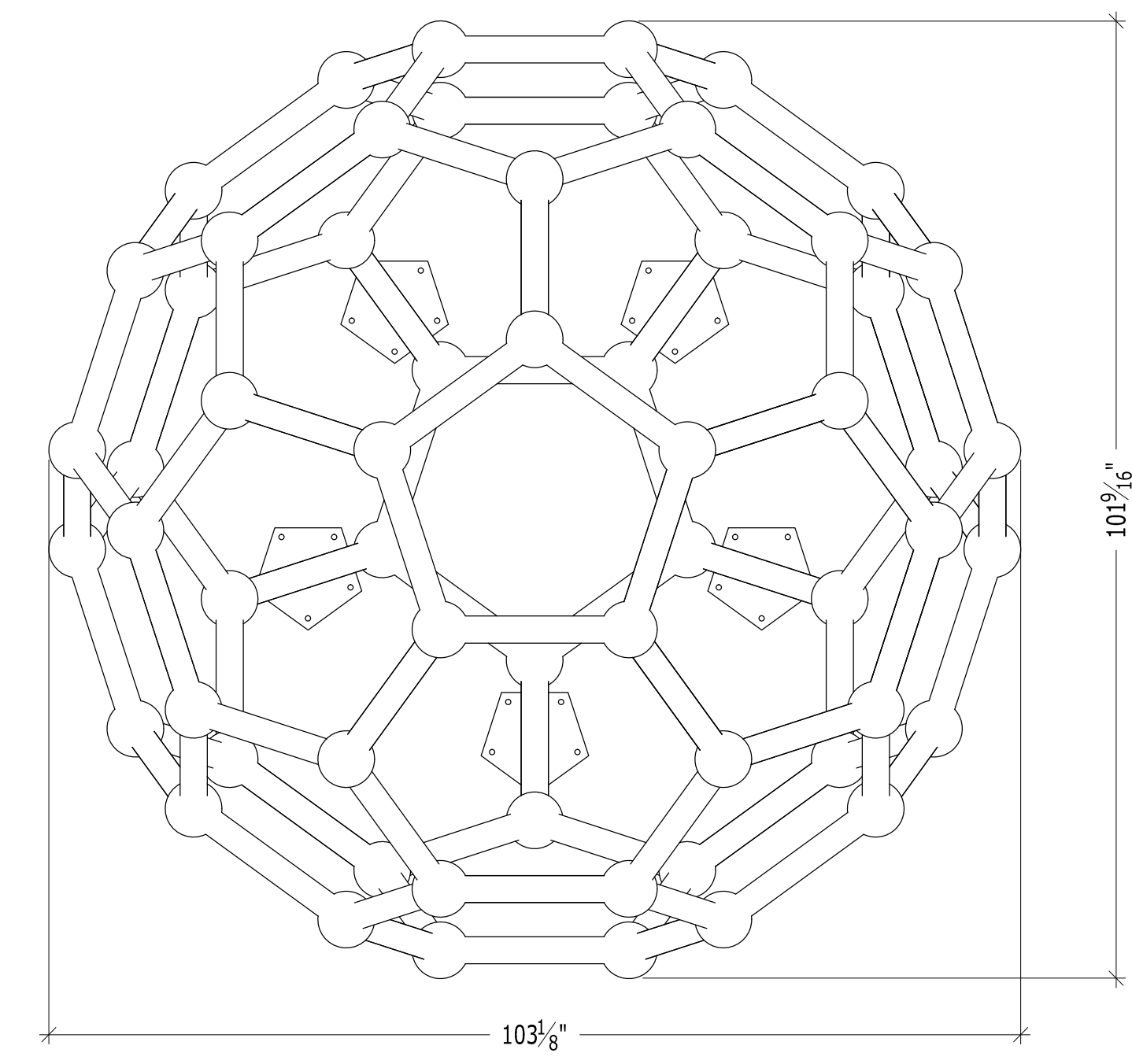
**1** DETAIL - FOOTING  
SCALE: 1-1/2" = 1'-0"



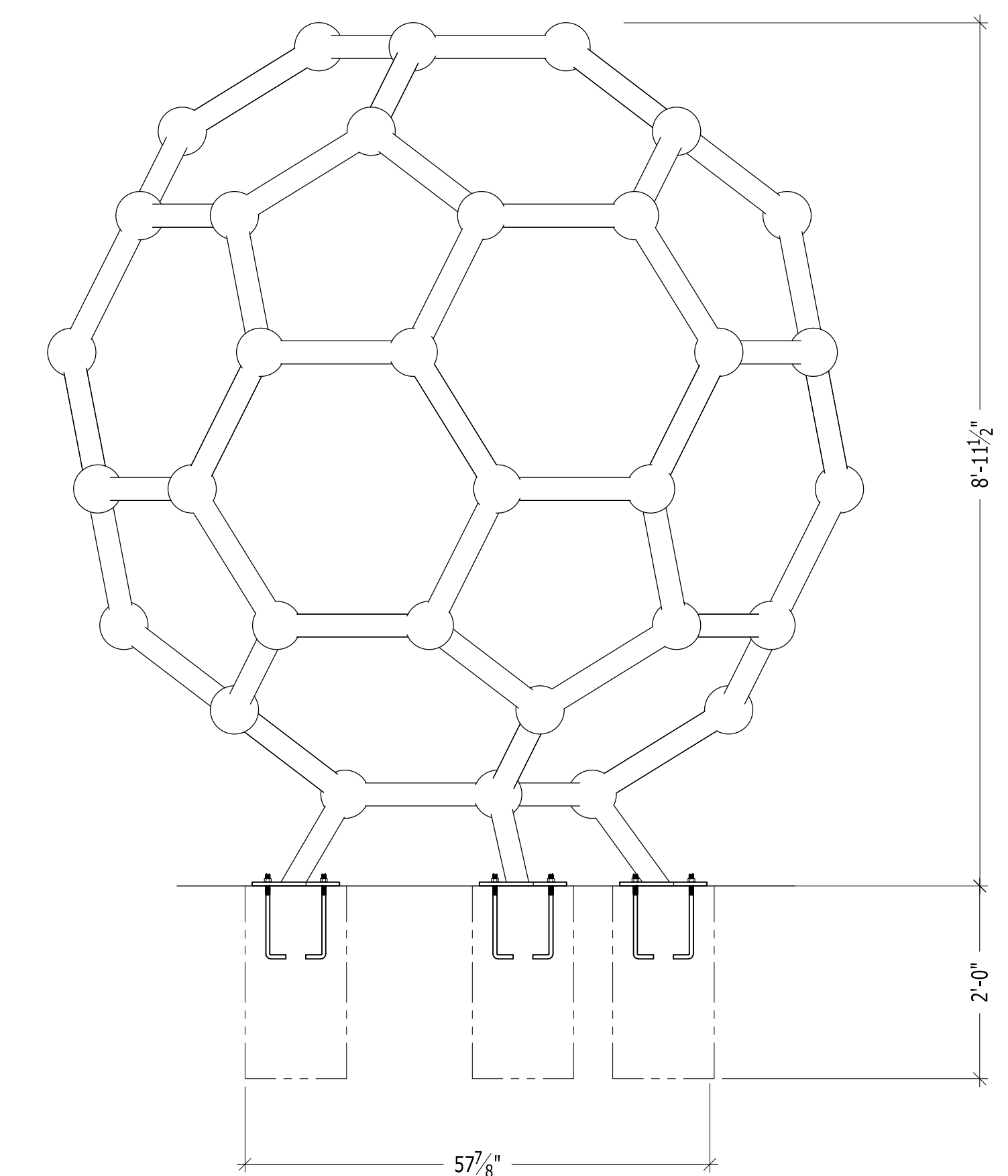
**ISO VIEW**  
NTS



**B** ELEVATION -  
SCALE: 3/4" = 1'-0"

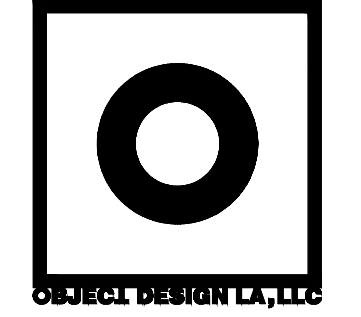


**PLAN -**  
SCALE: 3/4" = 1'-0"



**A** ELEVATION -  
SCALE: 3/4" = 1'-0"

**FOR REVIEW**



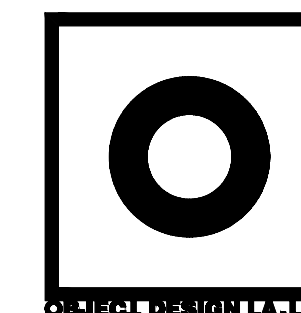
**JACK ANDERSON**  
FABRICATION DESIGN  
3326 CAZADOR STREET  
LOS ANGELES CA 90065  
623-419-4802  
jack4congrss@protonmail.com

**LOS ANGELES SOLAR SYSTEM PROJECT**

**JUPITER**

2800 E. Observatory Rd  
Los Angeles, CA 90027

DRAWN BY	JACK
DRAWING DATE	2-5-2026
REVISION DATE	--/--/----
TITLE	ELEVATION, SECTIONS
SCALE	AS NOTED
SHEET	JU800



**JACK ANDERSON**  
FABRICATION DESIGN

3326 CAZADOR STREET  
LOS ANGELES CA 90065  
623-419-4802  
jack4congrss@gmail.com

JUPITER GALILEAN SATELLITES

LOS ANGELES SOLAR SYSTEM PROJECT

2800 E. Observatory Rd  
Los Angeles, CA 90027

DRAWN BY  
JACK

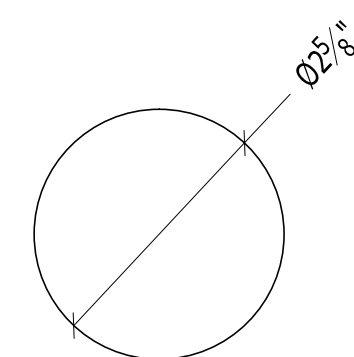
DRAWING DATE  
2-5-2026

REVISION DATE  
--/------

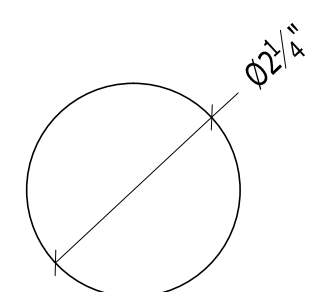
TITLE  
ELEVATION, SECTIONS

SCALE  
AS NOTED

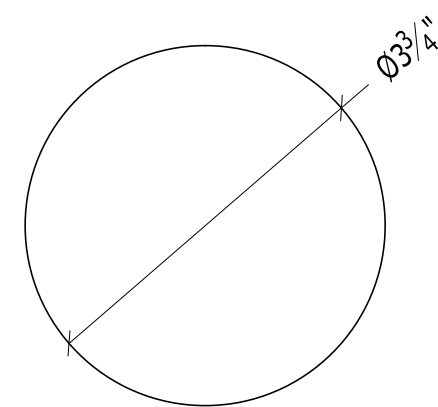
SHEET  
JU801



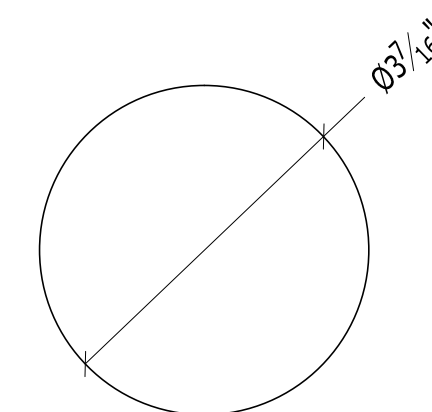
**1** DETAIL - IO  
SCALE: HALF SCALE



**2** DETAIL - EUROPA  
SCALE: HALF SCALE

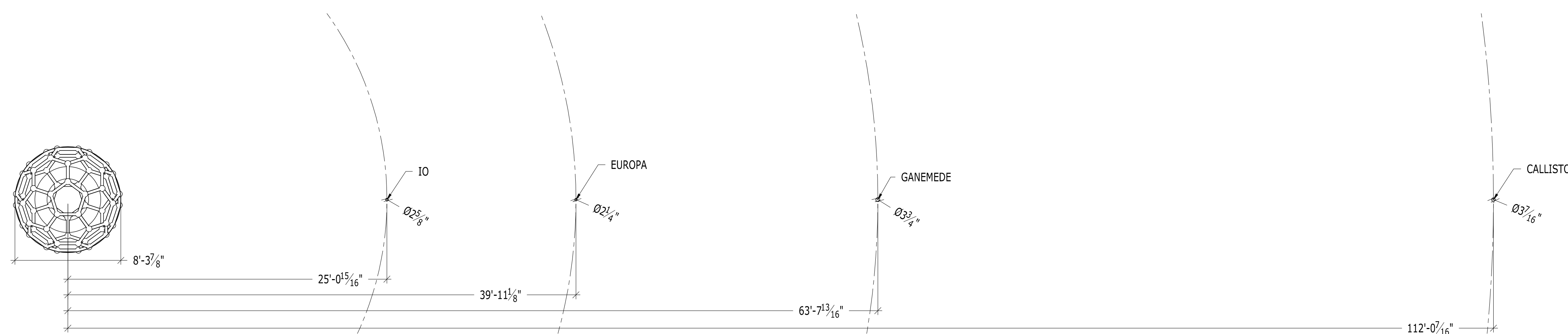


**3** DETAIL - GANYMEDE  
SCALE: HALF SCALE



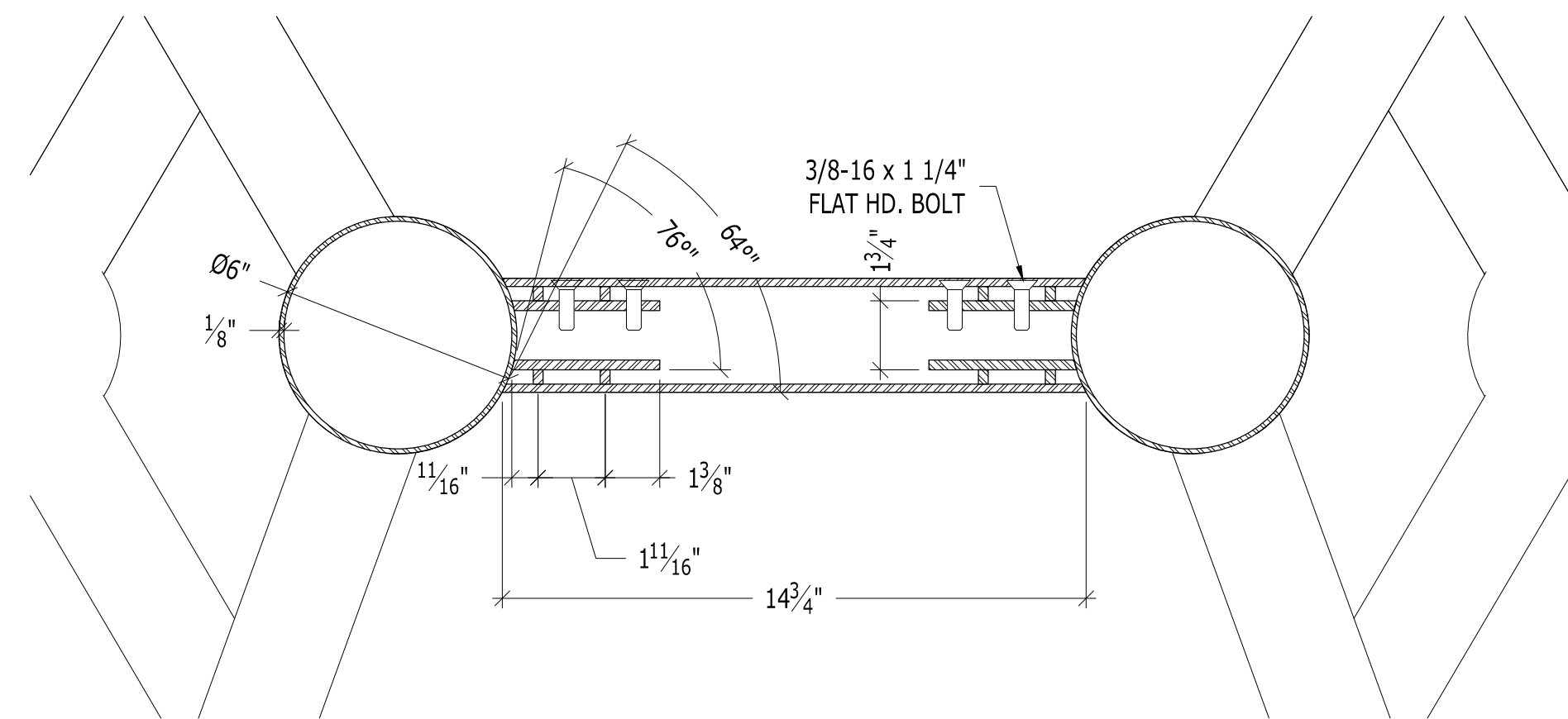
**4** DETAIL - CALLISTO  
SCALE: HALF SCALE

**A** ELEVATION - COMPANION GRAPHIC  
SCALE: HALF SCALE

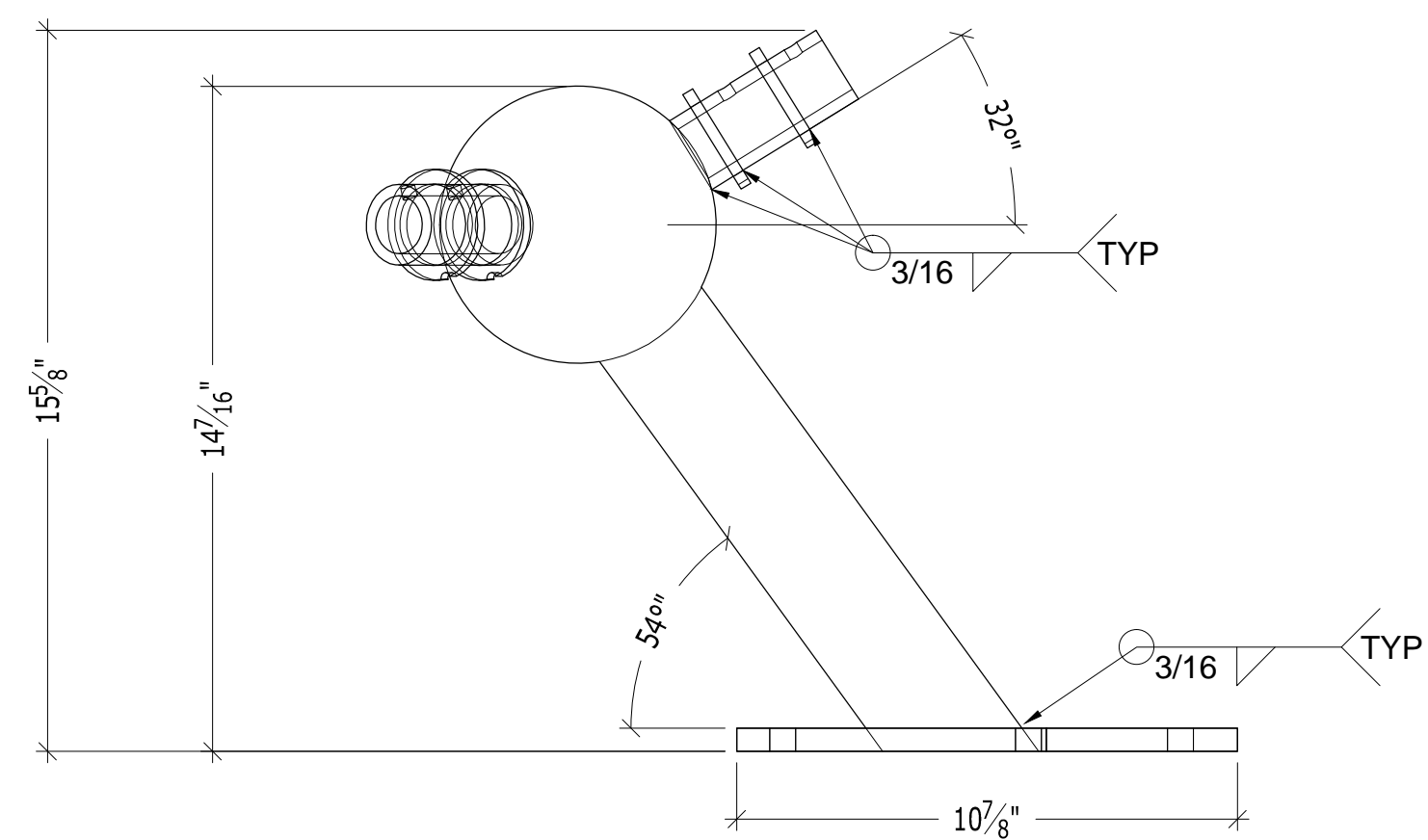
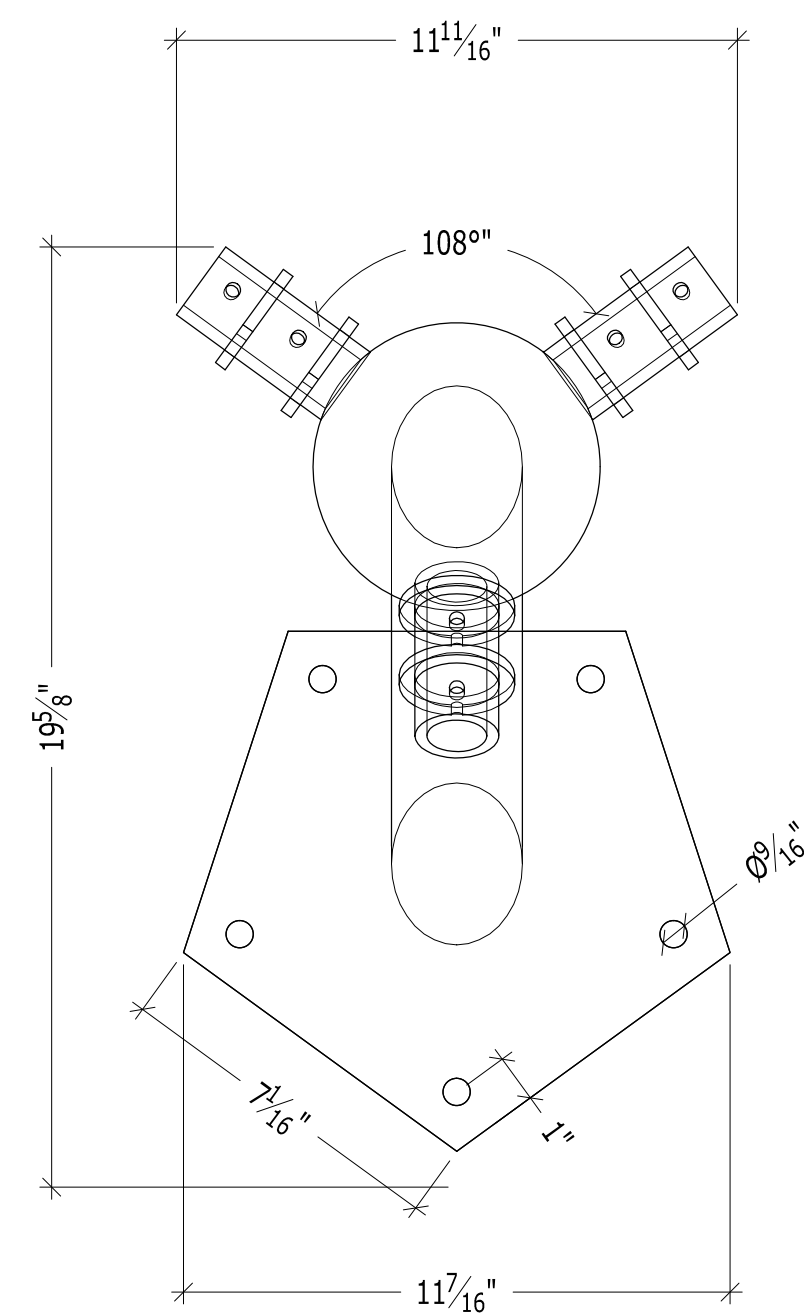
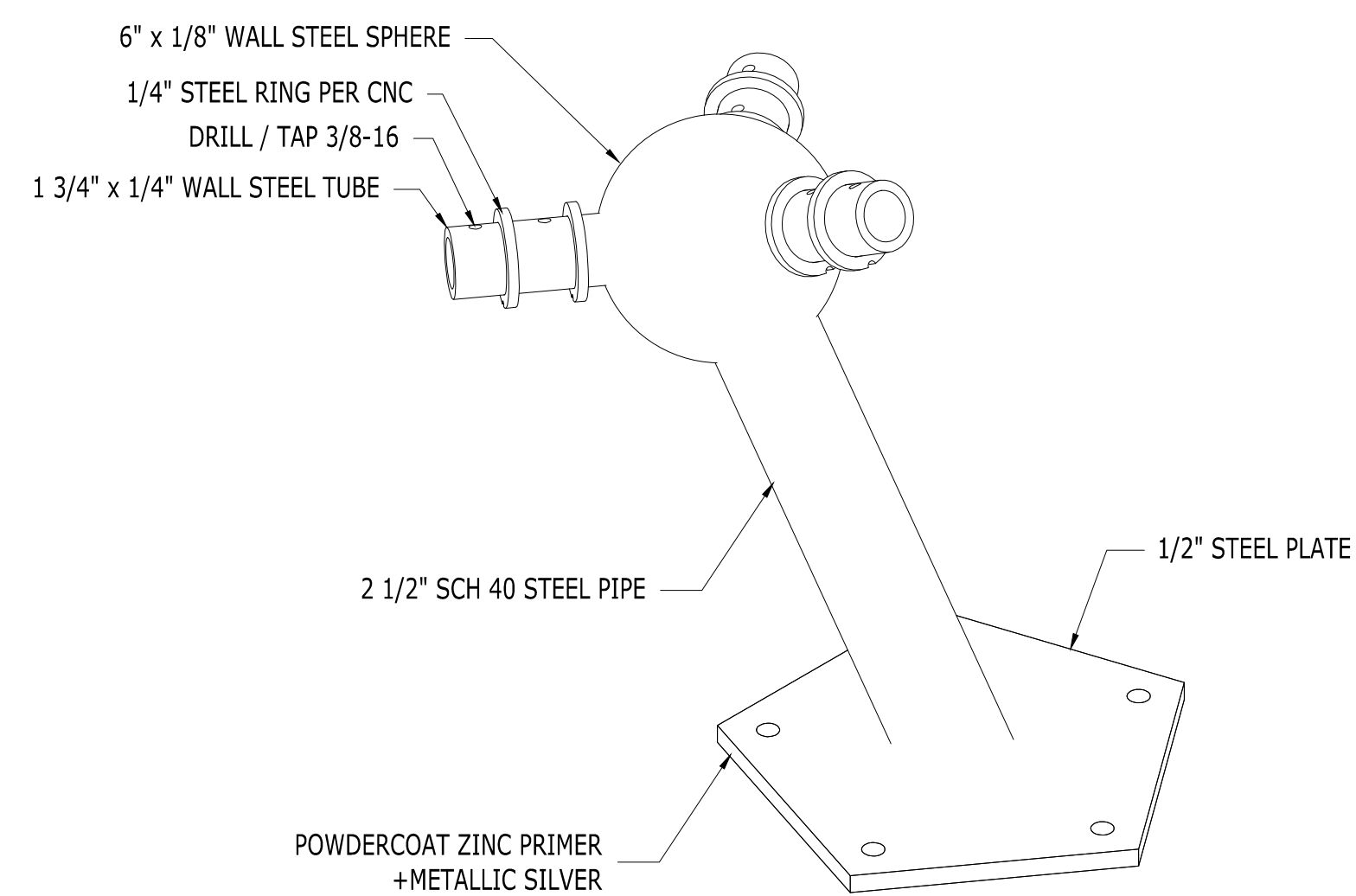


**PLAN - GALILEAN SATELLITES**  
SCALE: 3/16" = 1'-0"

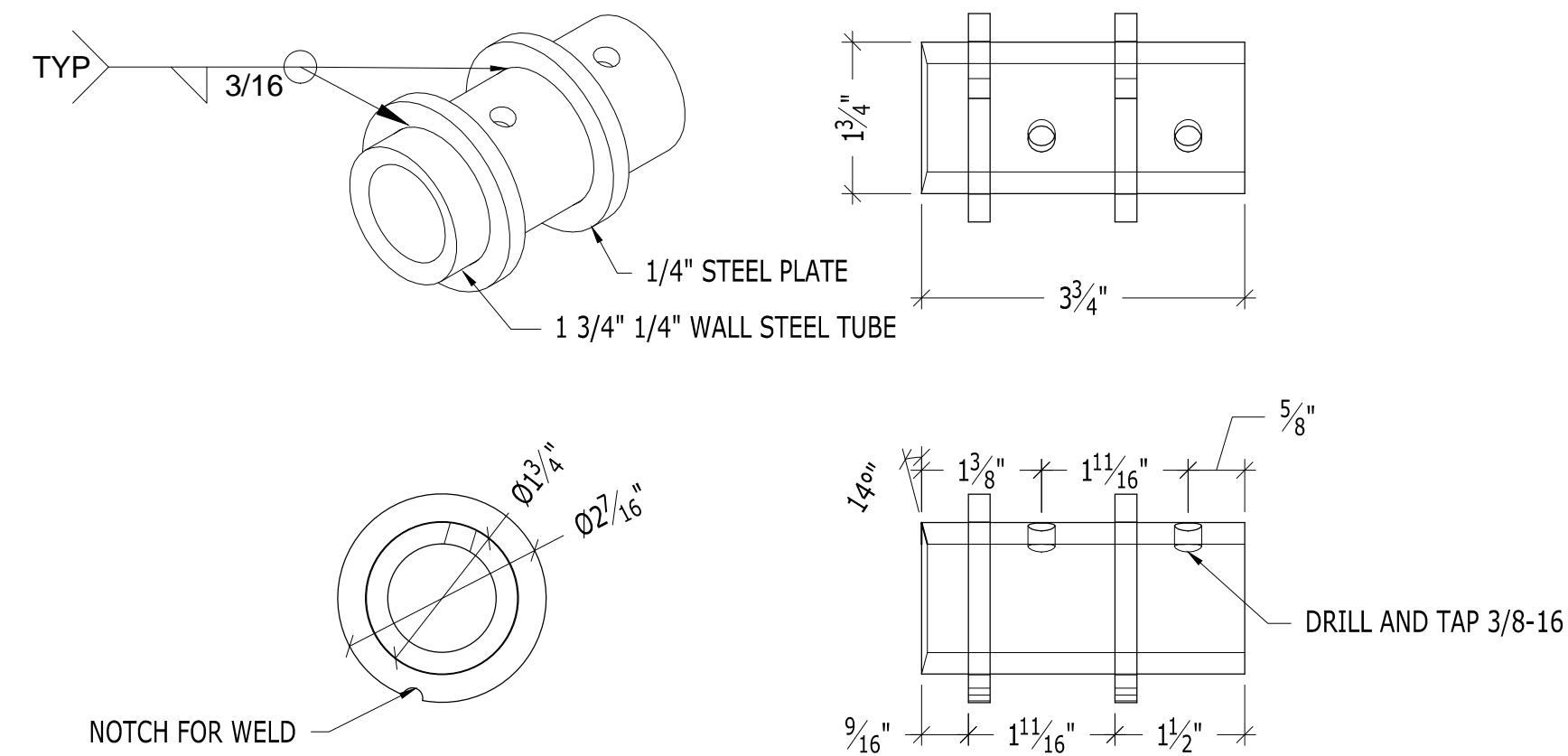
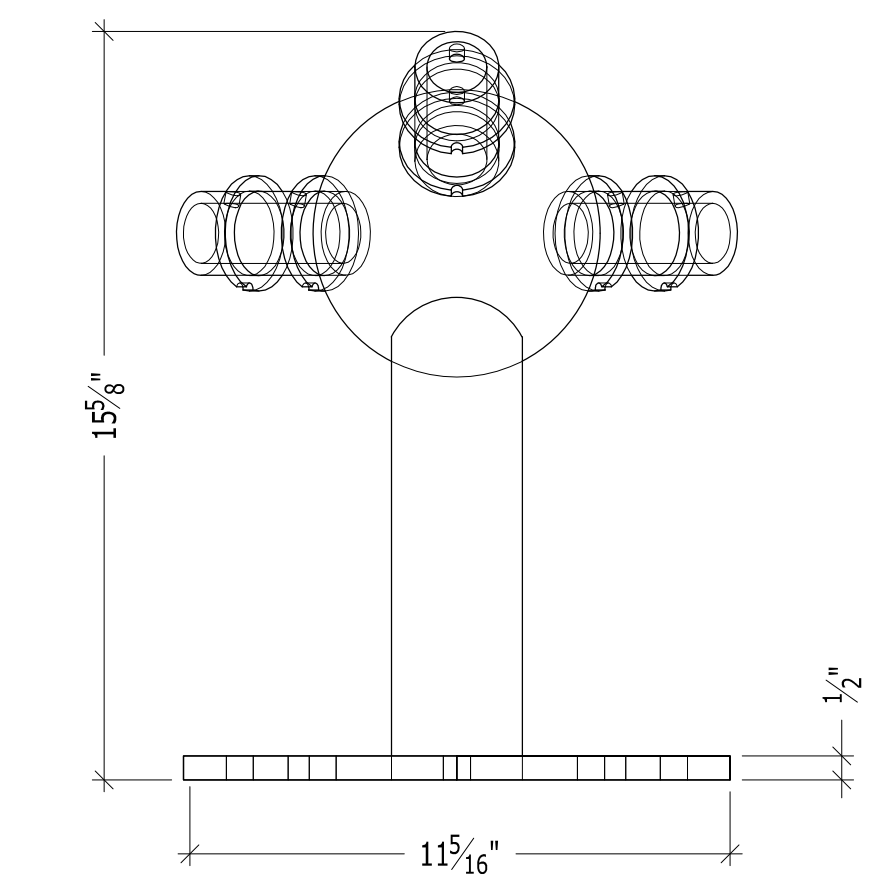
FOR REVIEW



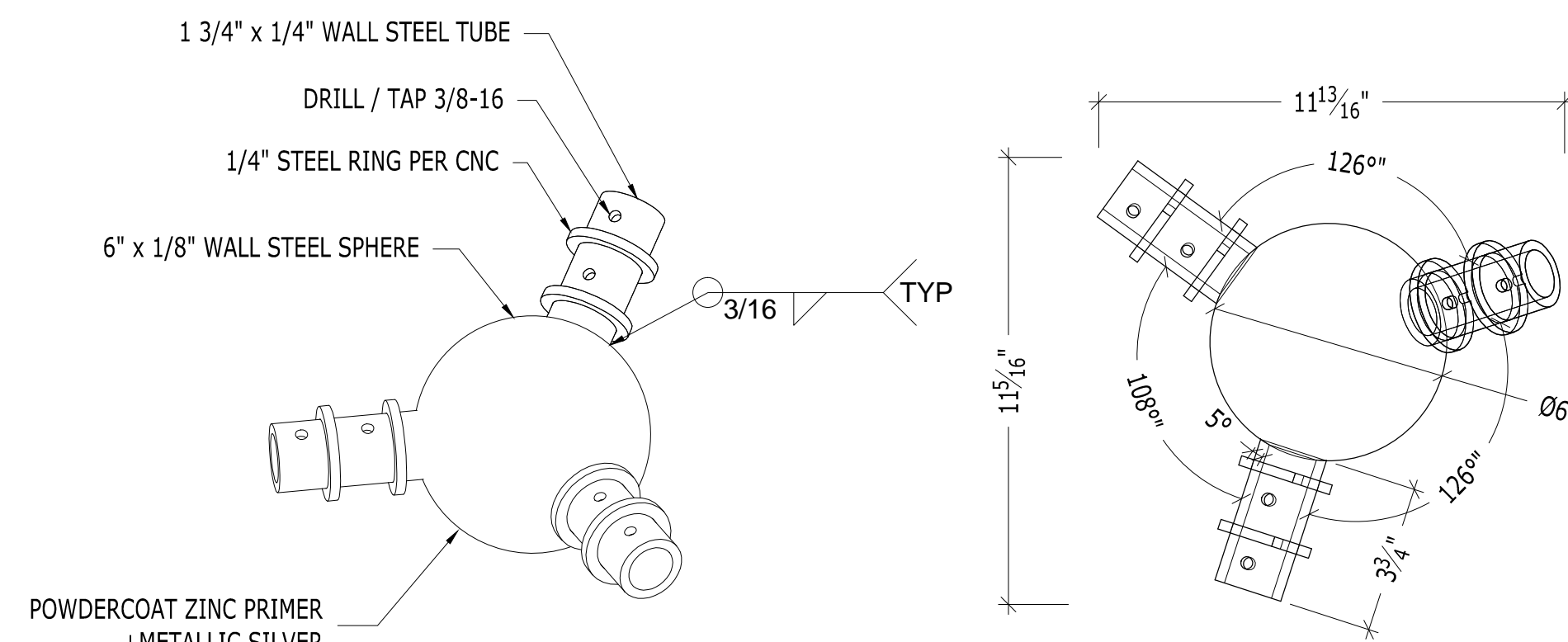
**3** SECTION -  
SCALE: 3" = 1'-0"



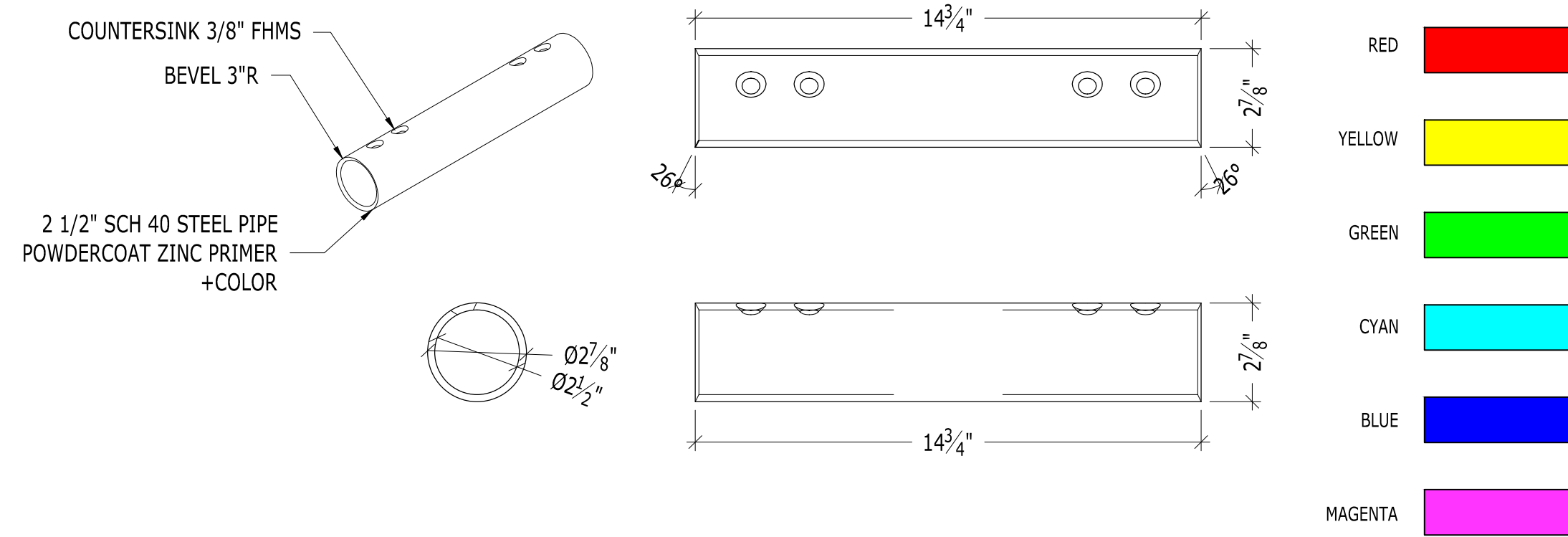
**4** DETAIL -FOOT (5) 26.6 LBS EACH  
SCALE: 3" = 1'-0"



**5** DETAIL - STUB (MAKE 180)  
SCALE: HALF SCALE

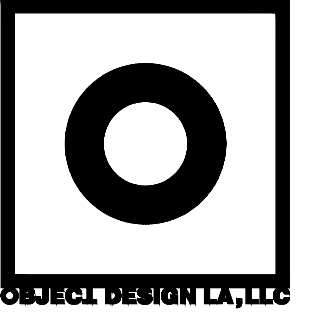


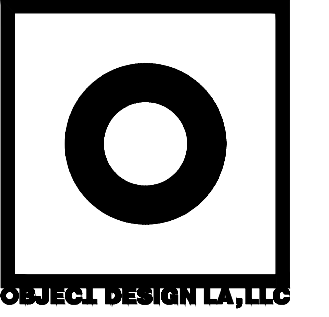
**2** DETAIL -VERTEX (55) 7.6 LBS EACH  
SCALE: 3" = 1'-0"



**1** DETAIL -BONDS 90 (15 EACH COLOR) 7.0 LBS EACH  
SCALE: 3" = 1'-0"

FOR REVIEW





**JACK ANDERSON  
FABRICATION DESIGN**

3326 CAZADOR STREET  
LOS ANGELES CA 90065  
623-419-4802  
jack4congrss@protonmail.com

**LOS ANGELES SOLAR SYSTEM PROJECT**

**SATURN**

2800 E. Observatory Rd  
Los Angeles, CA 90027

DRAWN BY  
**JACK**

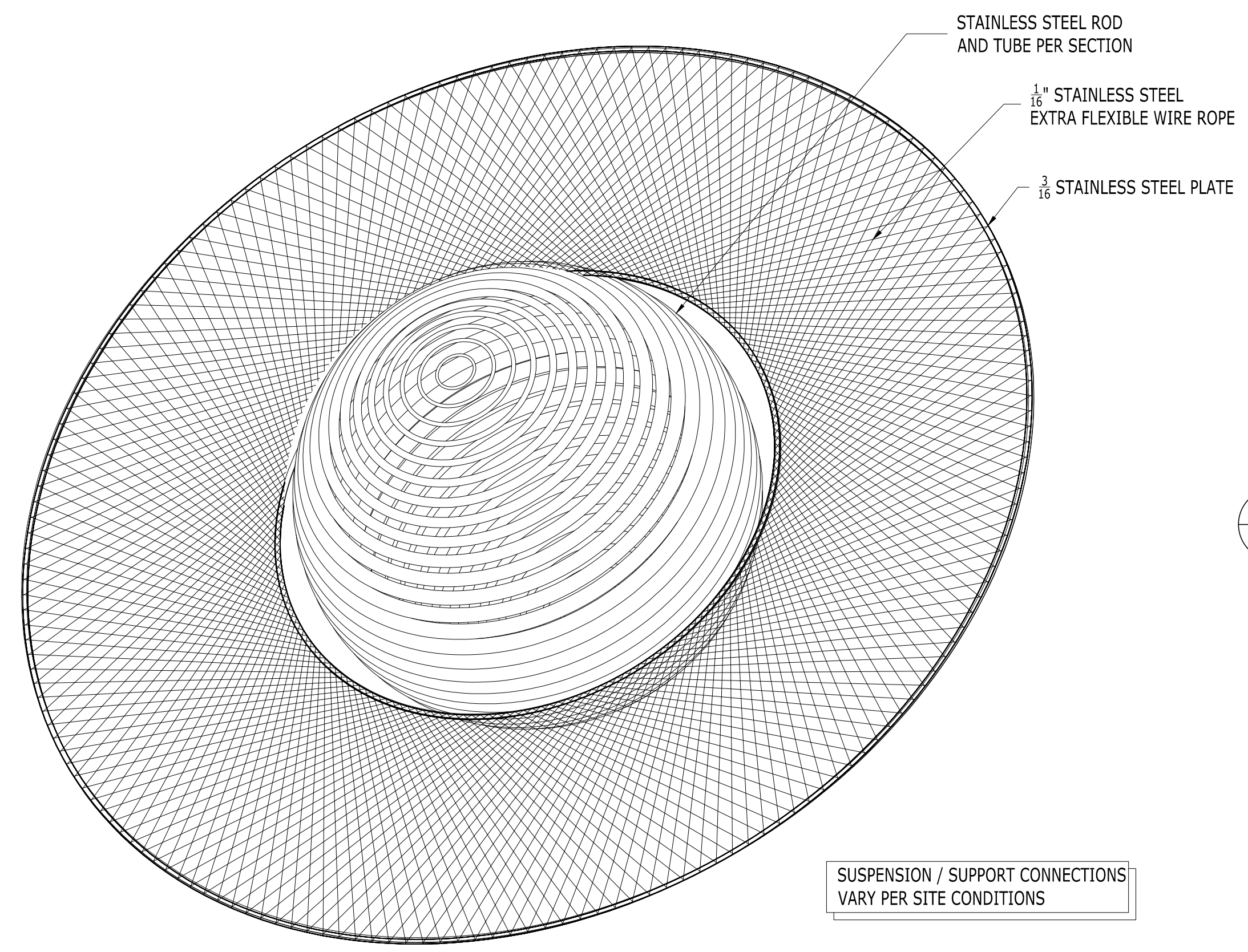
DRAWING DATE  
**2-5-2026**

REVISION DATE  
--/--/----

TITLE  
**FAB DETAILS**

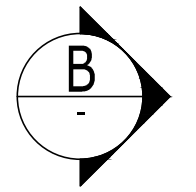
SCALE  
**AS NOTED**

SHEET  
**SA600**

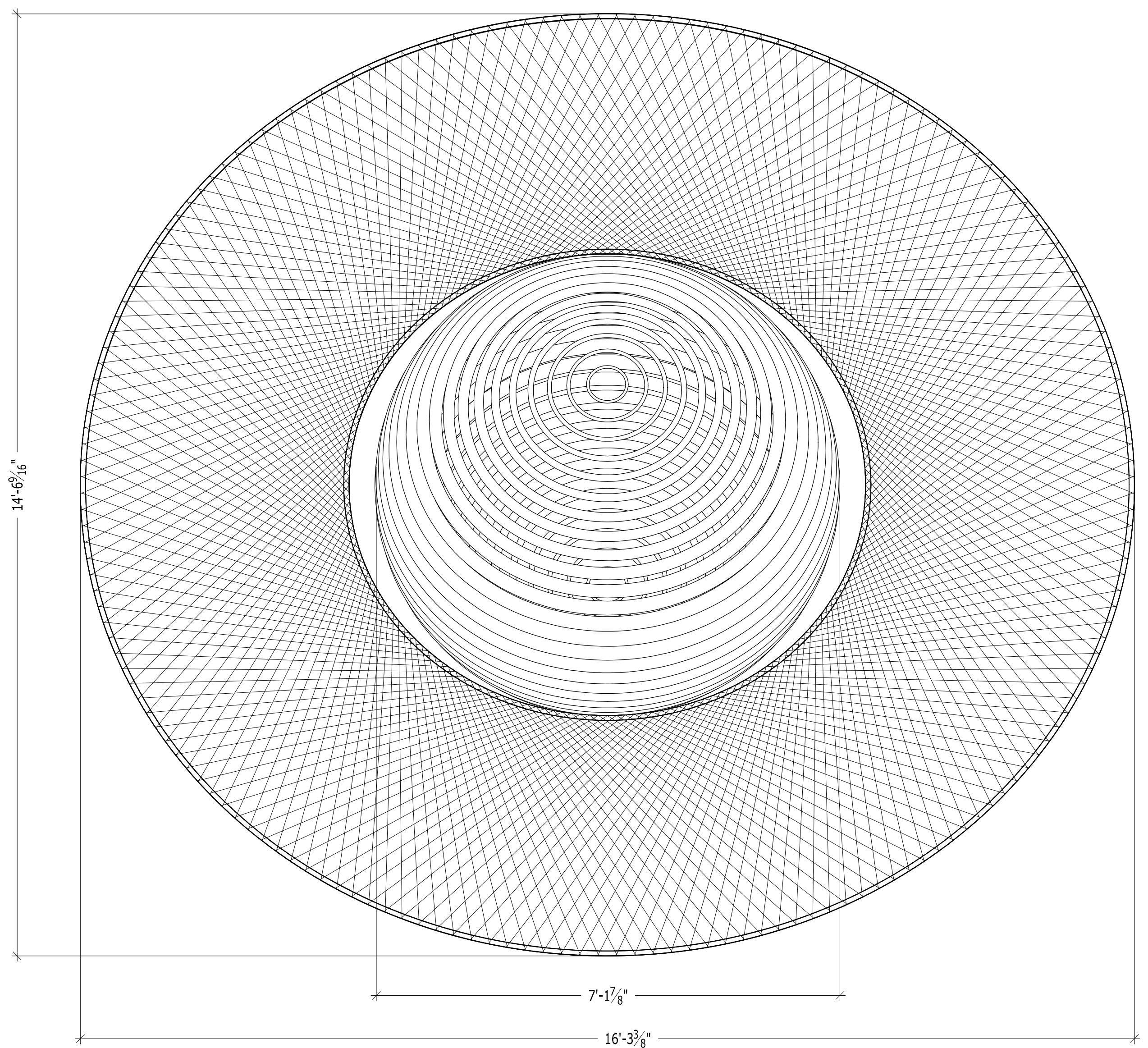


**ISO VIEW**  
NTS

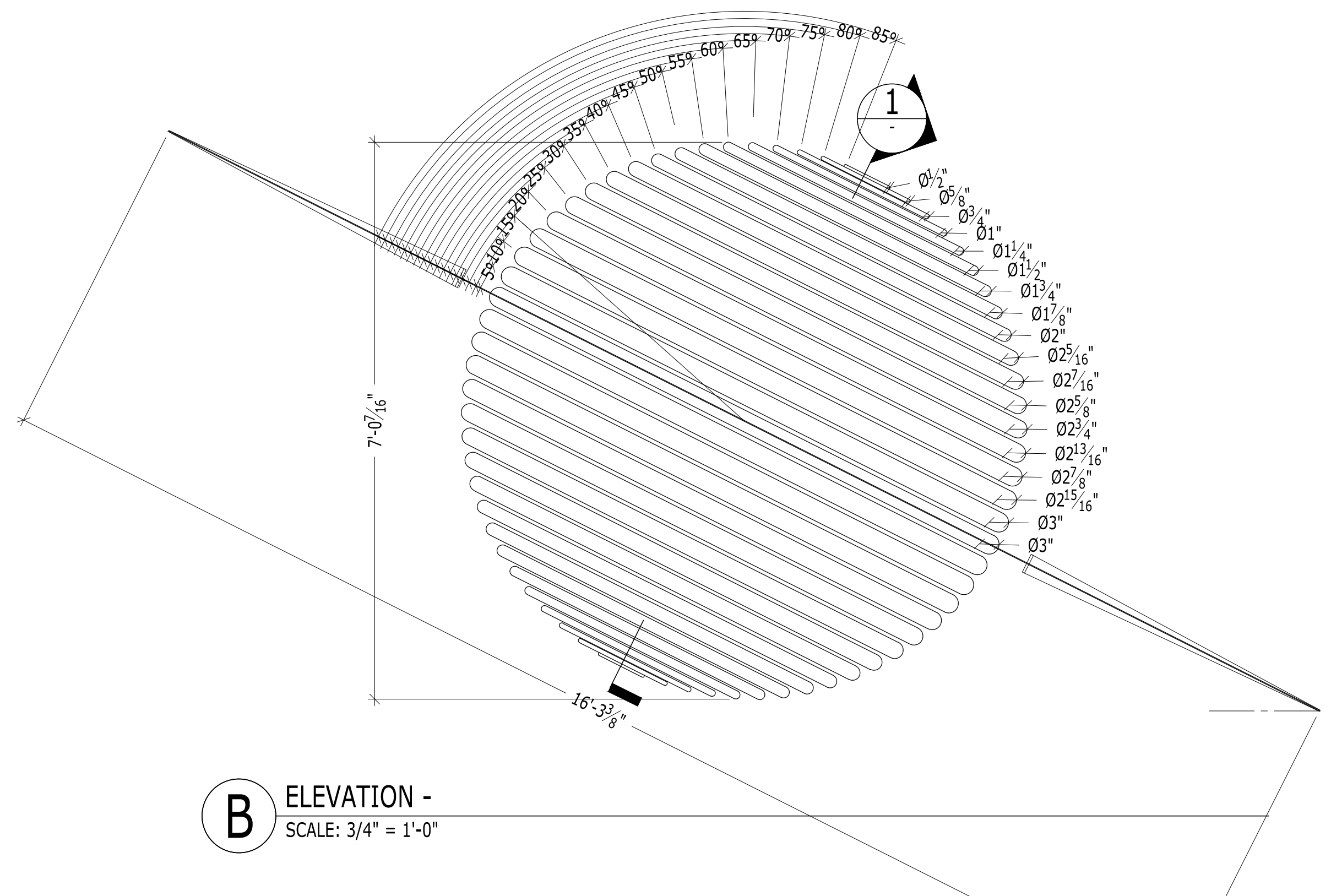
SUSPENSION / SUPPORT CONNECTIONS  
VARY PER SITE CONDITIONS



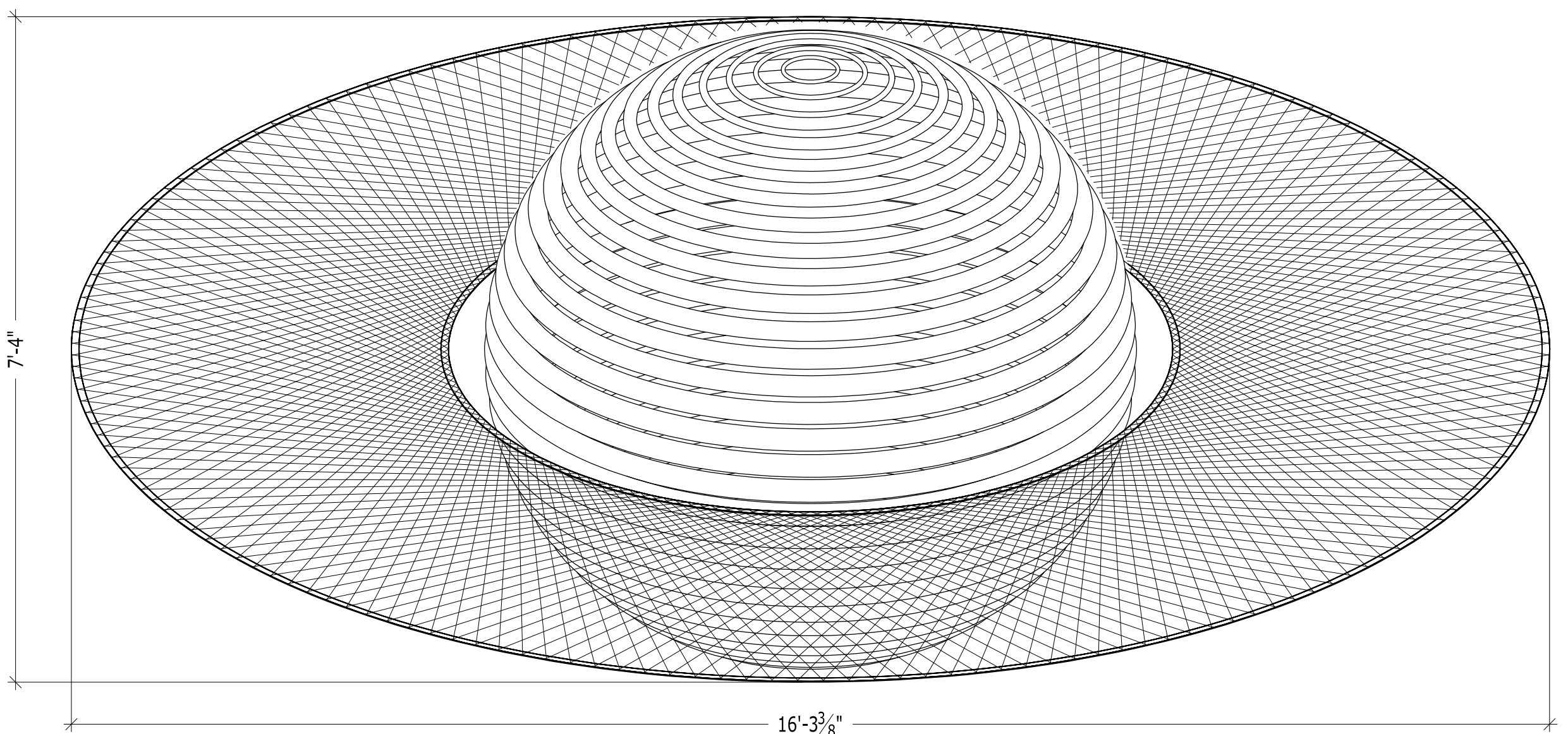
14'-6<sup>7</sup>/<sub>16</sub>"



**PLAN -**  
SCALE: 3/4" = 1'-0"

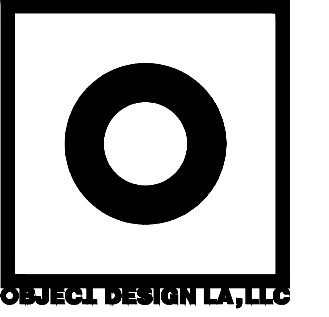


**B ELEVATION -**  
SCALE: 3/4" = 1'-0"



**A ELEVATION -**  
SCALE: 3/4" = 1'-0"

**FOR REVIEW**



**JACK ANDERSON  
FABRICATION DESIGN**

3326 CAZADOR STREET  
LOS ANGELES CA 90065  
623-419-4802  
jack4congrss@protonmail.com

**LOS ANGELES SOLAR SYSTEM PROJECT**  
SATURN MOONS

2800 E. Observatory Rd  
Los Angeles, CA 90027

DRAWN BY  
**JACK**

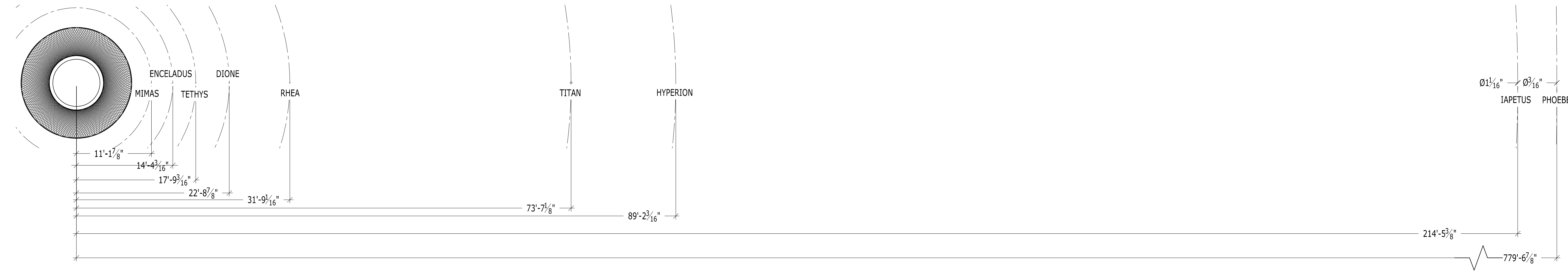
DRAWING DATE  
**2-5-2026**

REVISION DATE  
--/--/----

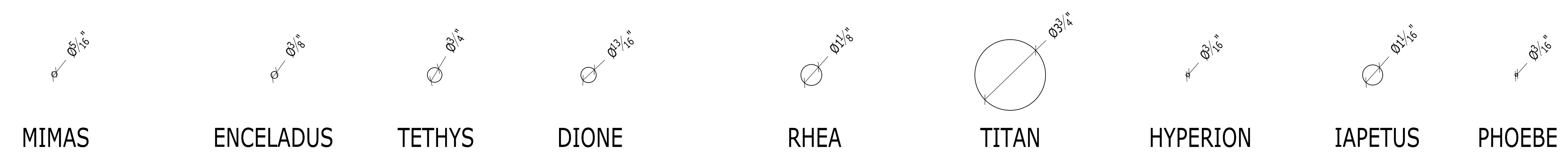
TITLE  
**FAB DETAILS**

SCALE  
**AS NOTED**

SHEET  
**SA601**



**PLAN -**  
SCALE: 1/8" = 1'-0"

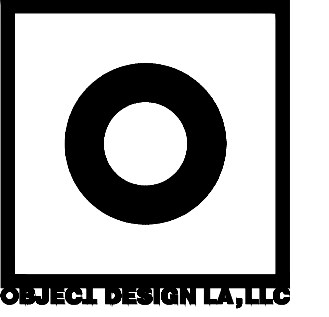


**A** ELEVATION - MOONS  
SCALE: 3" = 1'-0"



**B** ELEVATION - COMPANION GRAPHIC  
SCALE: HALF SCALE

**FOR REVIEW**



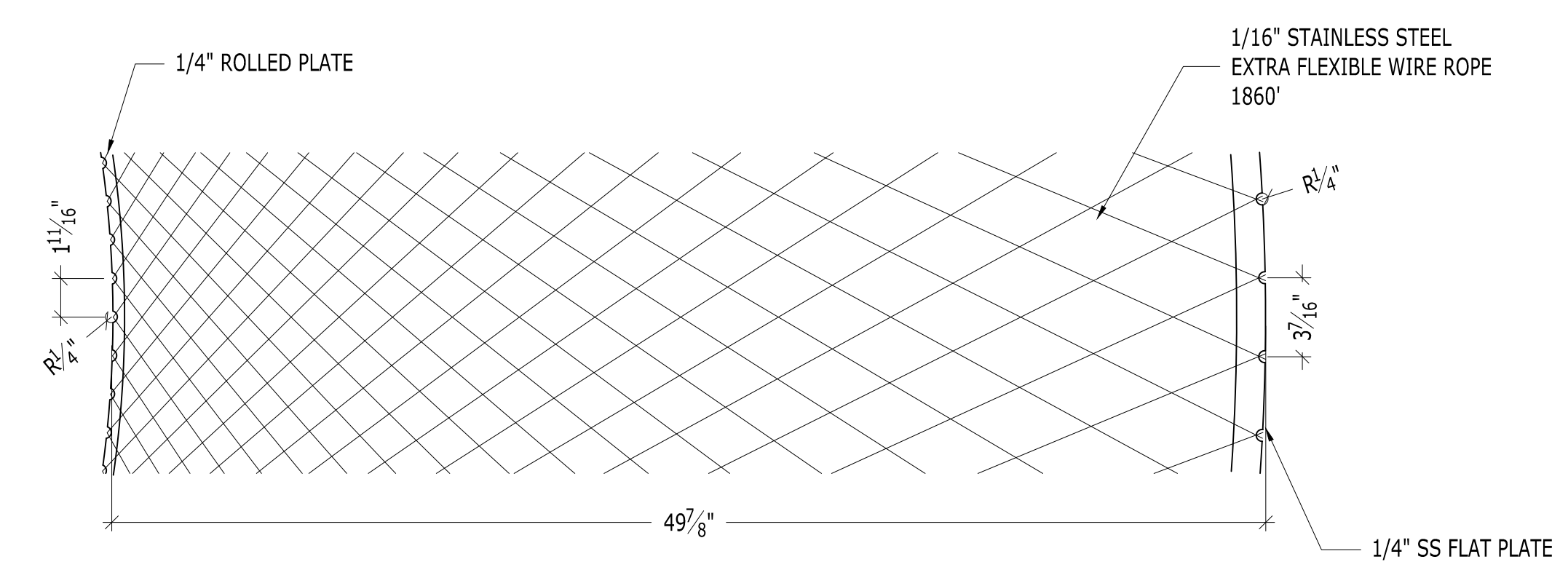
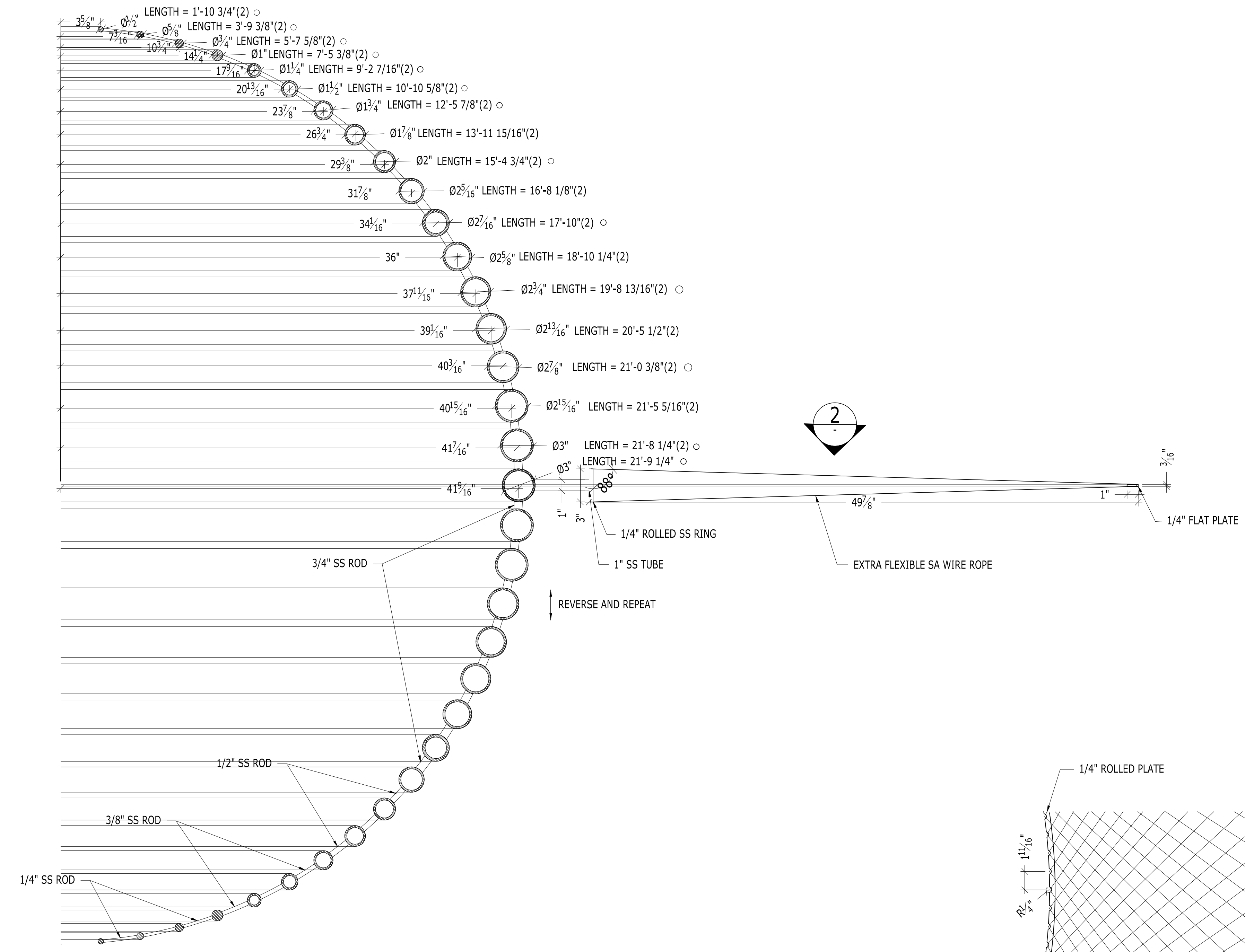
**JACK ANDERSON**  
FABRICATION DESIGN

3326 CAZADOR STREET  
LOS ANGELES CA 90065  
623-419-4802  
jack4congrss@protonmail.com

**LOS ANGELES SOLAR SYSTEM PROJECT**

**SATURN DETAILS**

2800 E. Observatory Rd  
Los Angeles, CA 90027

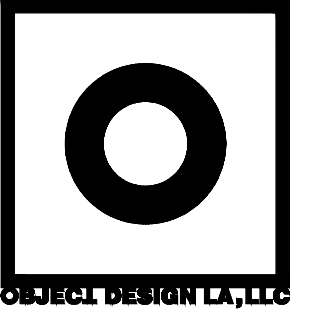


**1** SECTION -  
SCALE: 2" = 1'-0"

**2** DETAIL - WIRE LACE  
SCALE: 2" = 1'-0"

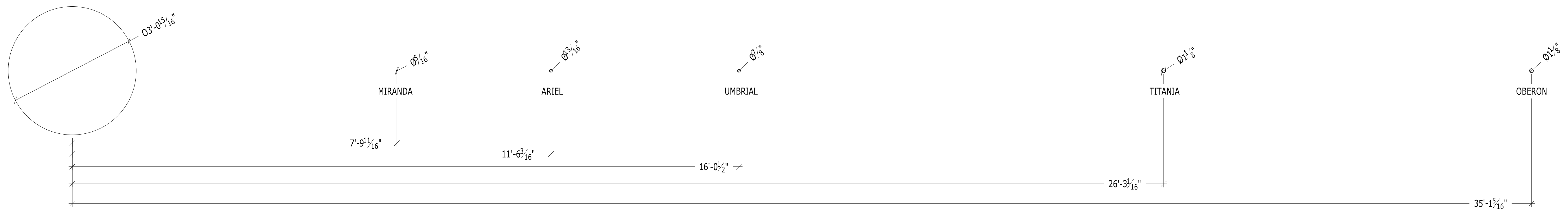
**FOR REVIEW**

DRAWN BY	JACK
DRAWING DATE	2-5-2026
REVISION DATE	--/--/----
TITLE	FAB DETAILS
SCALE	AS NOTED
SHEET	SA602

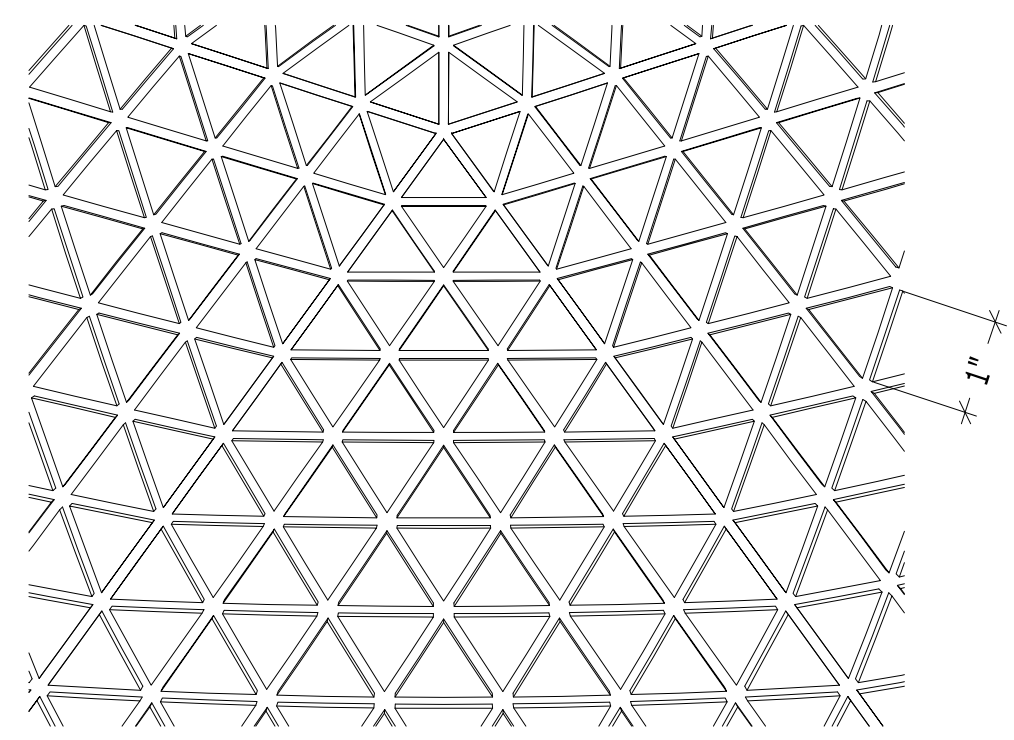


**JACK ANDERSON  
FABRICATION DESIGN**

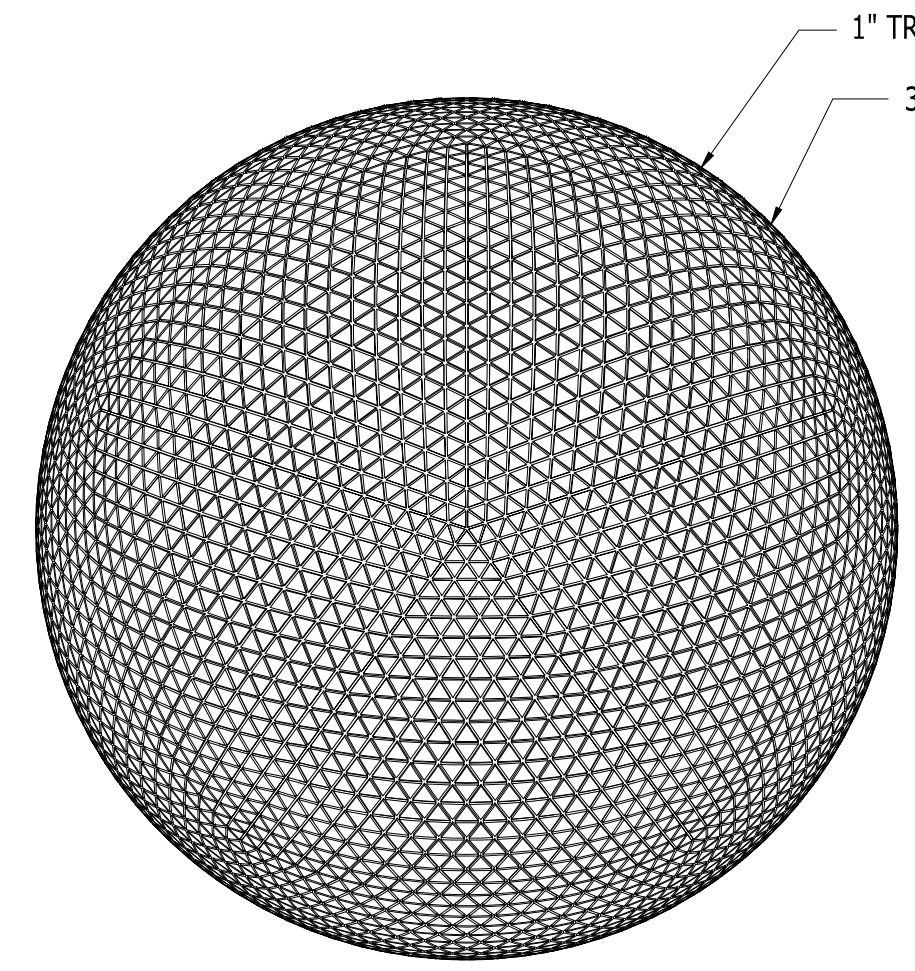
3326 CAZADOR STREET  
LOS ANGELES CA 90065  
623-419-4802  
jack4congrss@protonmail.com



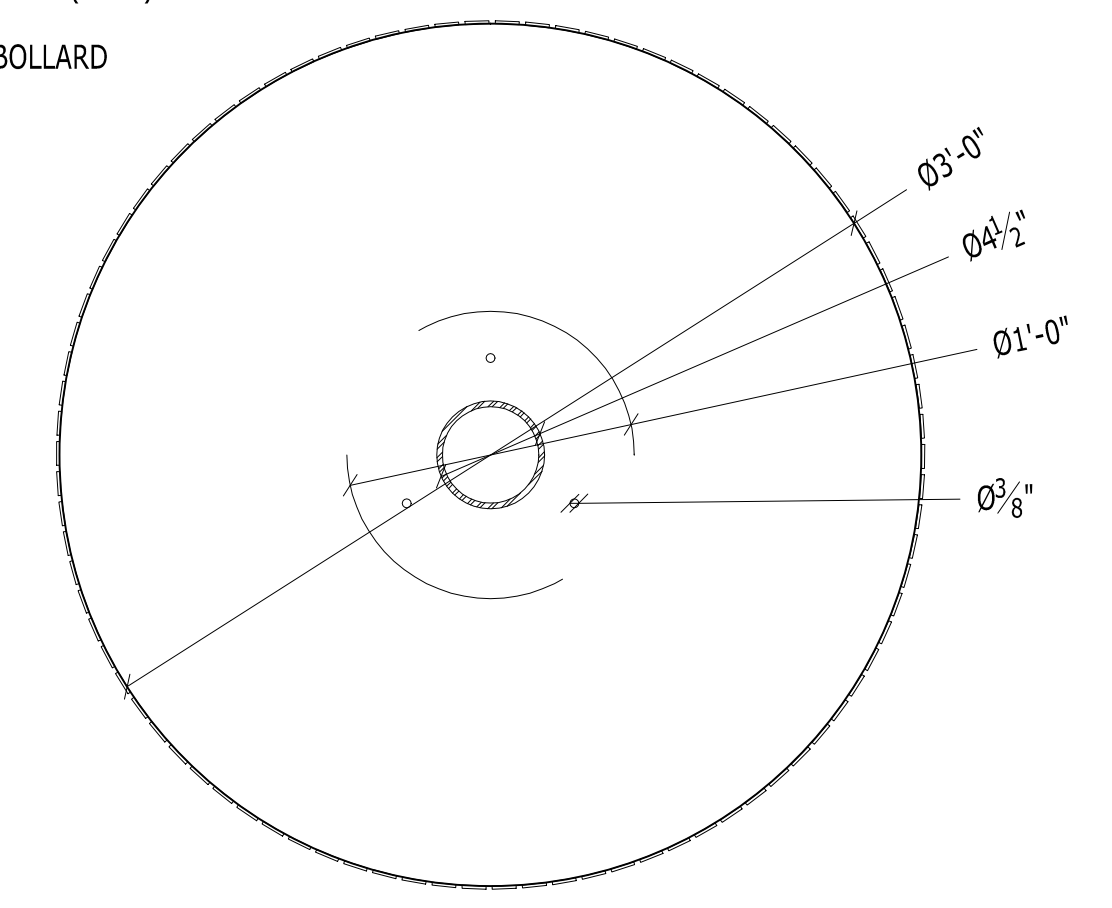
PLAN -  
SCALE: 3/4" = 1'-0"



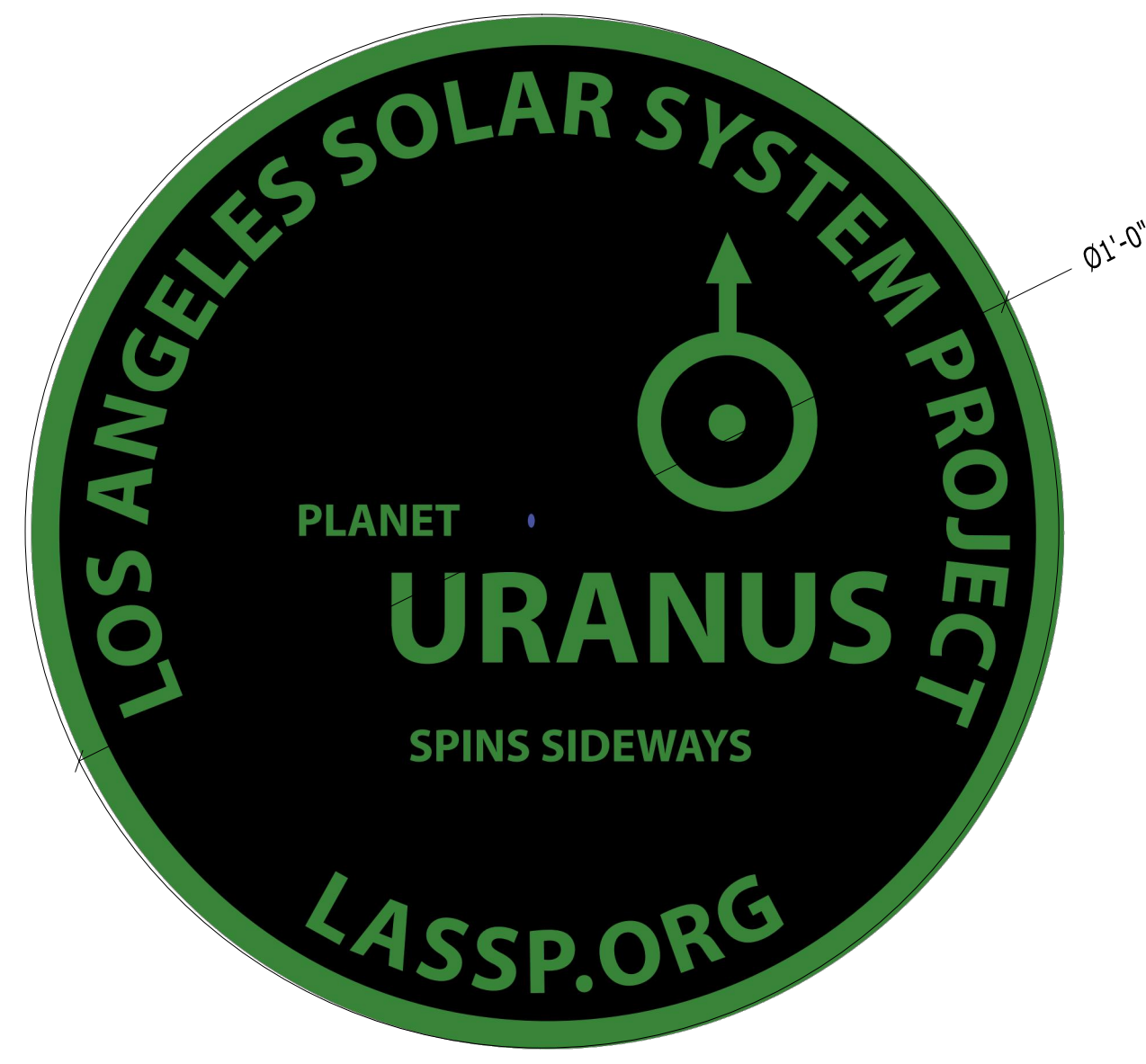
2 DETAIL - TILE  
SCALE: HALF SCALE



ISO VIEW  
NTS



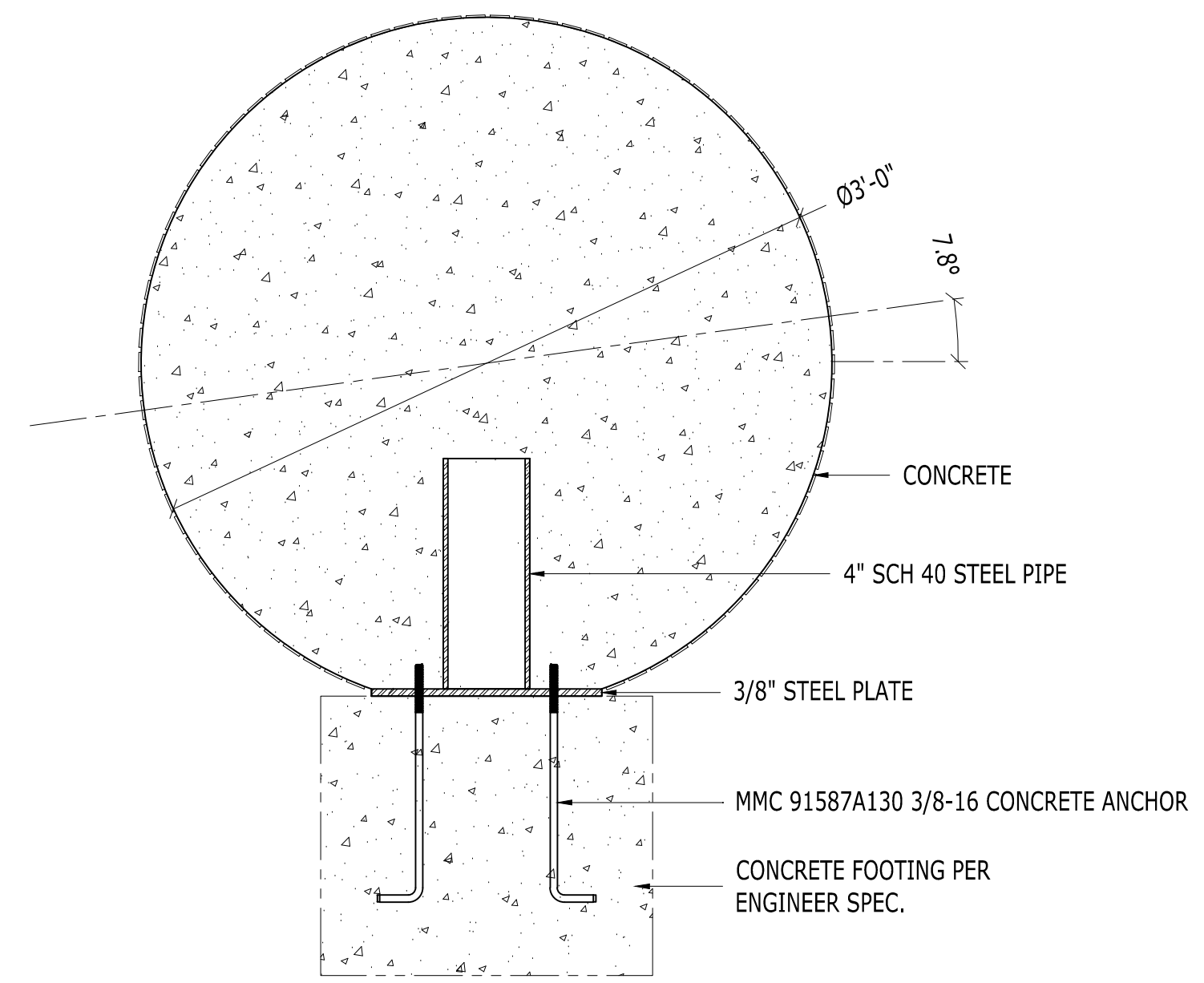
PLAN -  
SCALE: 1-1/2" = 1'-0"



4 DETAIL - COMPANION GRAPHIC  
SCALE: HALF SCALE



3 DETAIL - STAINED GLASS MOSAIC TILES  
SCALE: HALF SCALE



1 SECTION -  
SCALE: 1-1/2" = 1'-0"

**FOR REVIEW**

LOS ANGELES SOLAR SYSTEM PROJECT

URANUS

2800 E. Observatory Rd  
Los Angeles, CA 90027

DRAWN BY  
JACK

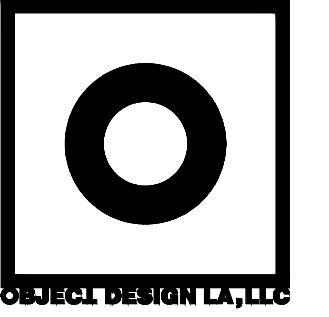
DRAWING DATE  
2-5-2026

REVISION DATE  
--/--/----

TITLE  
FAB DETAILS

SCALE  
AS NOTED

SHEET  
UR701



**JACK ANDERSON**  
FABRICATION DESIGN

3326 CAZADOR STREET  
LOS ANGELES CA 90065  
623-419-4802  
jack4congrss@protonmail.com

LOS ANGELES SOLAR SYSTEM PROJECT

NEPTUNE

2800 E. Observatory Rd  
Los Angeles, CA 90027

DRAWN BY  
JACK

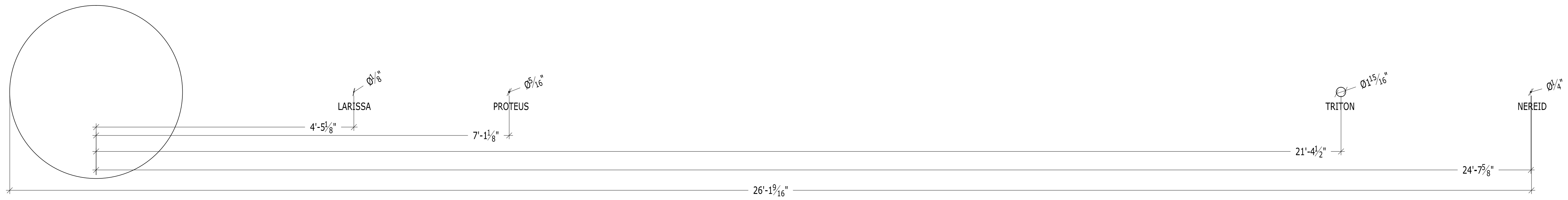
DRAWING DATE  
2-5-2026

REVISION DATE  
--/--/----

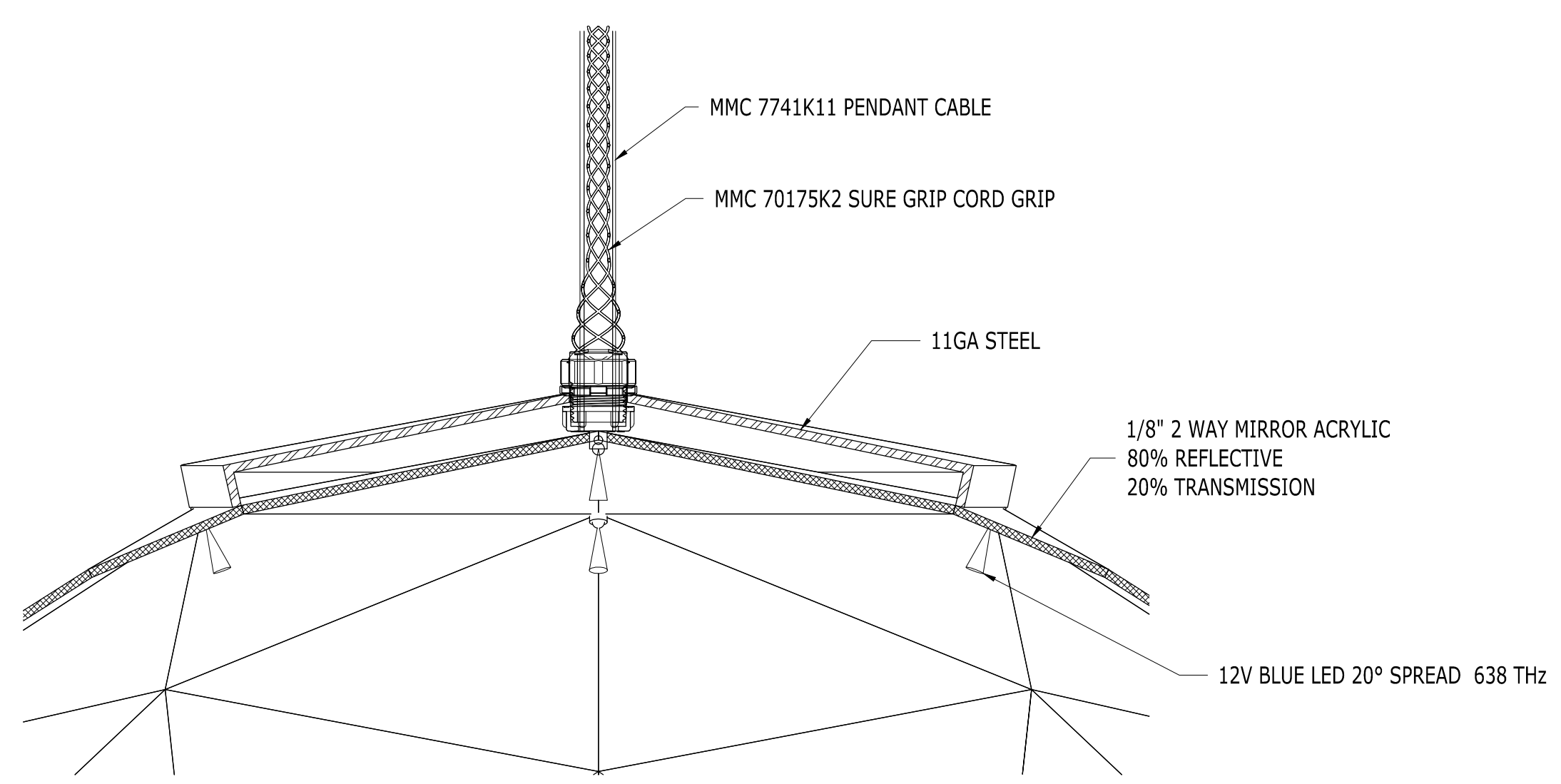
TITLE  
FAB DETAILS

SCALE  
AS NOTED

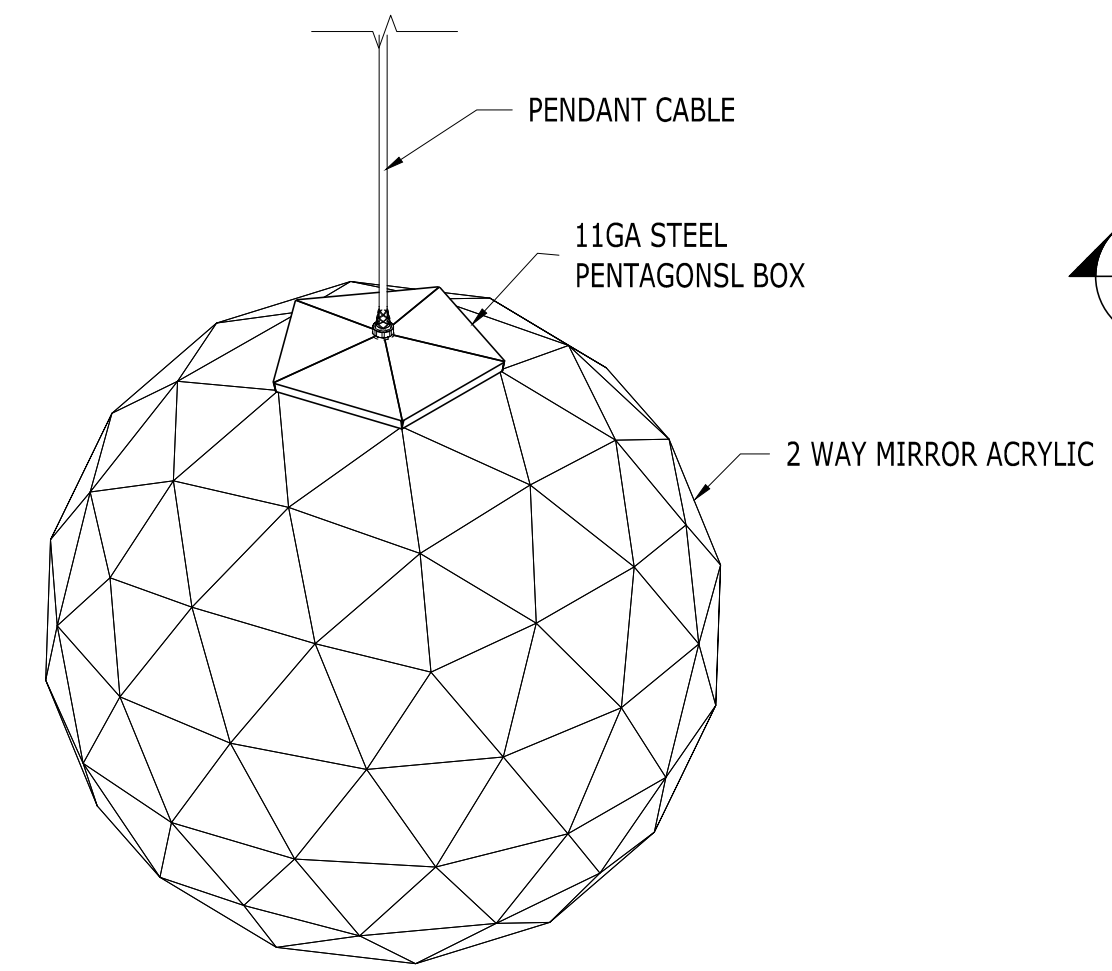
SHEET  
NE801



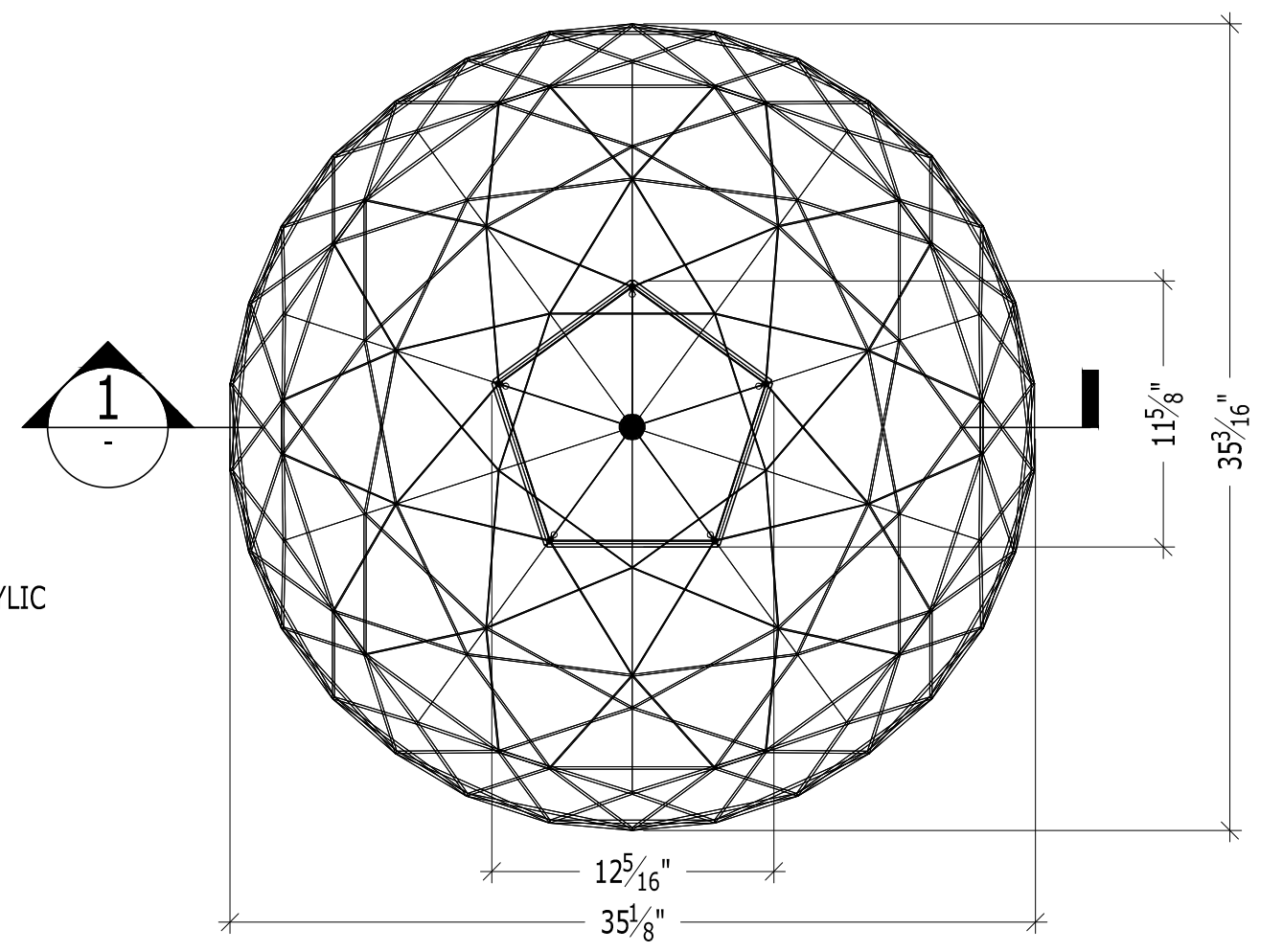
**PLAN -**  
SCALE: 1" = 1'-0"



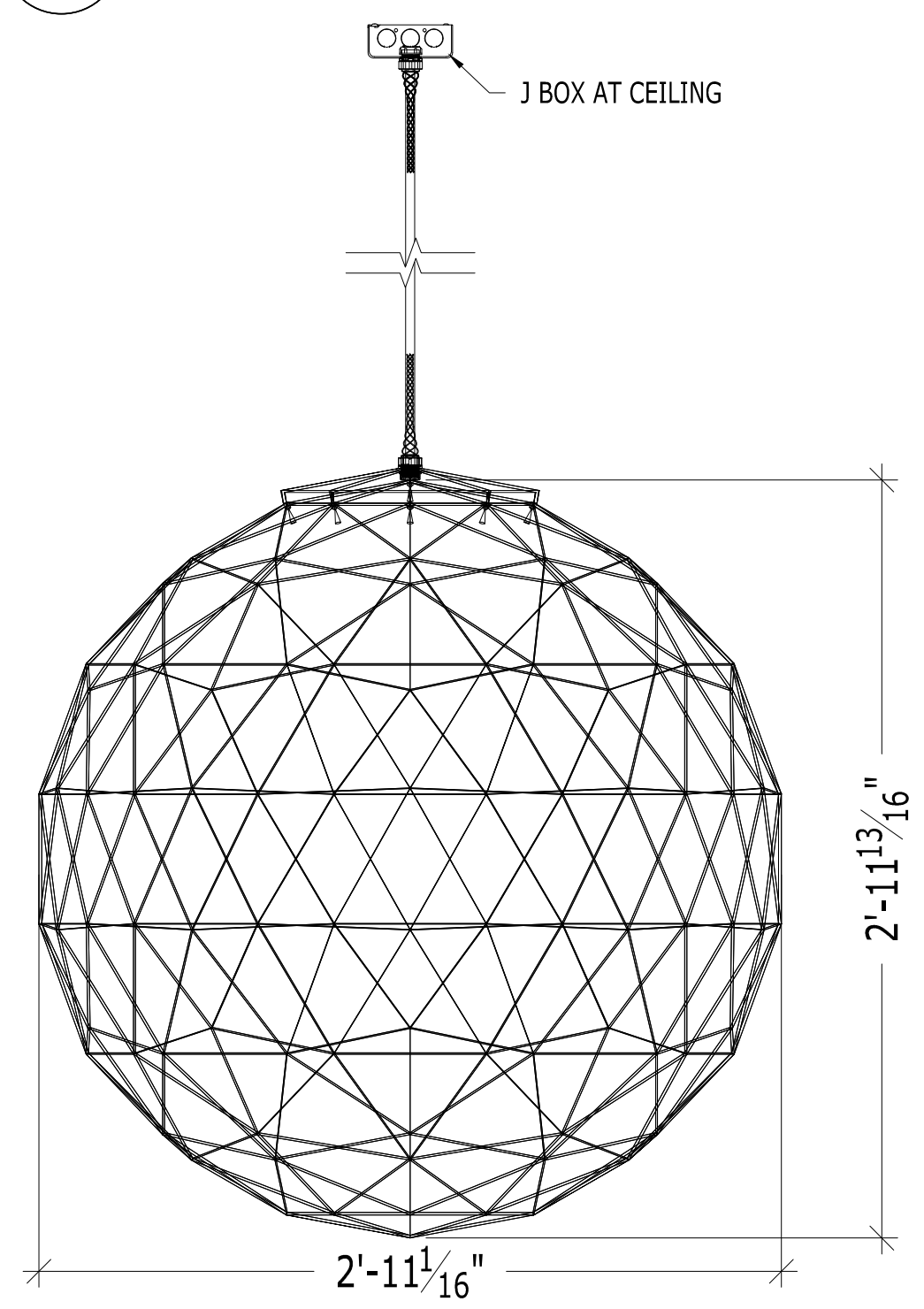
**1** SECTION - DETAIL  
SCALE: HALF SCALE



**ISO VIEW**  
NTS



**TOP**  
SCALE: 1-1/2" = 1'-0"

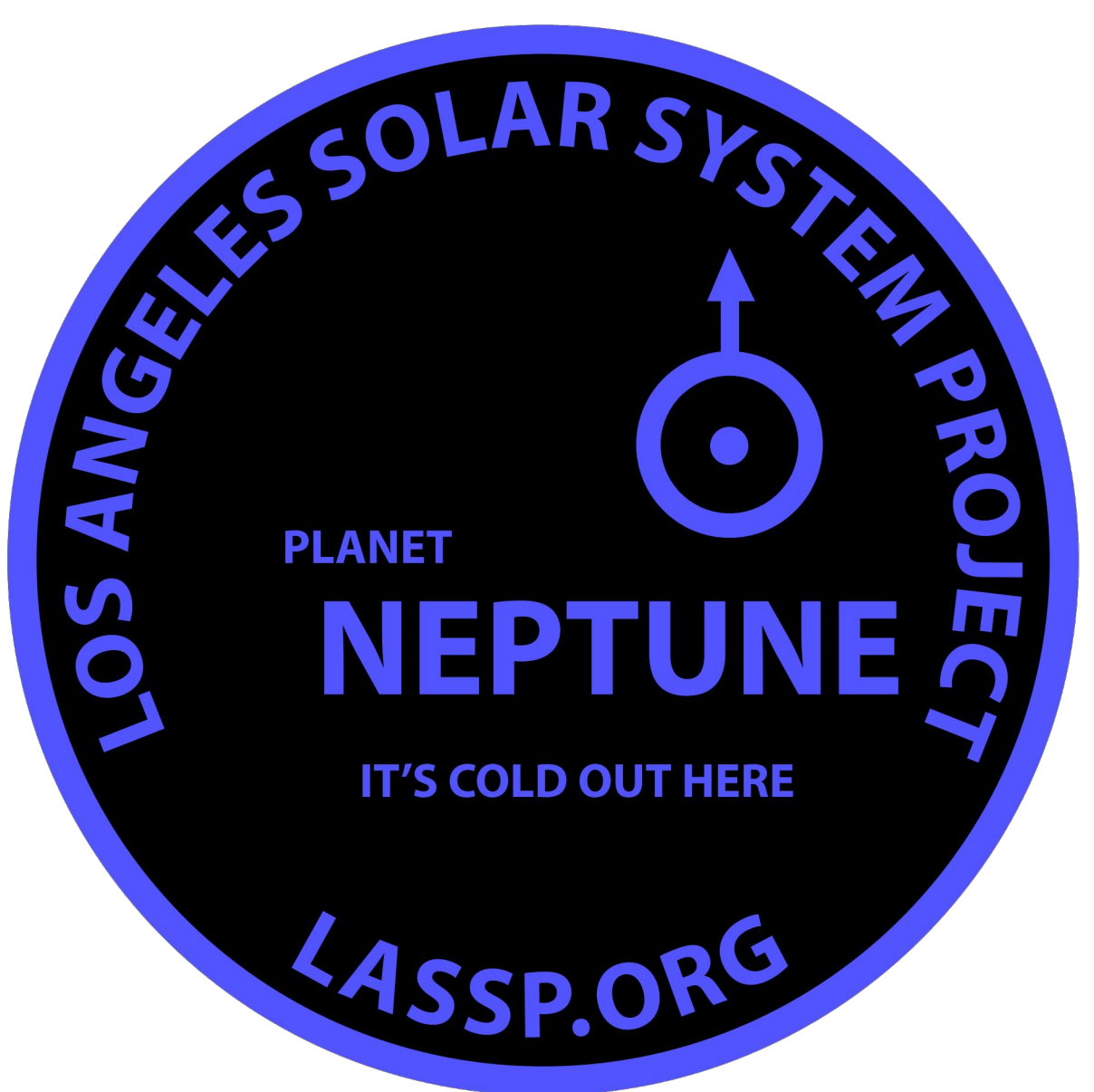


**A** ELEVATION -  
SCALE: 1-1/2" = 1'-0"

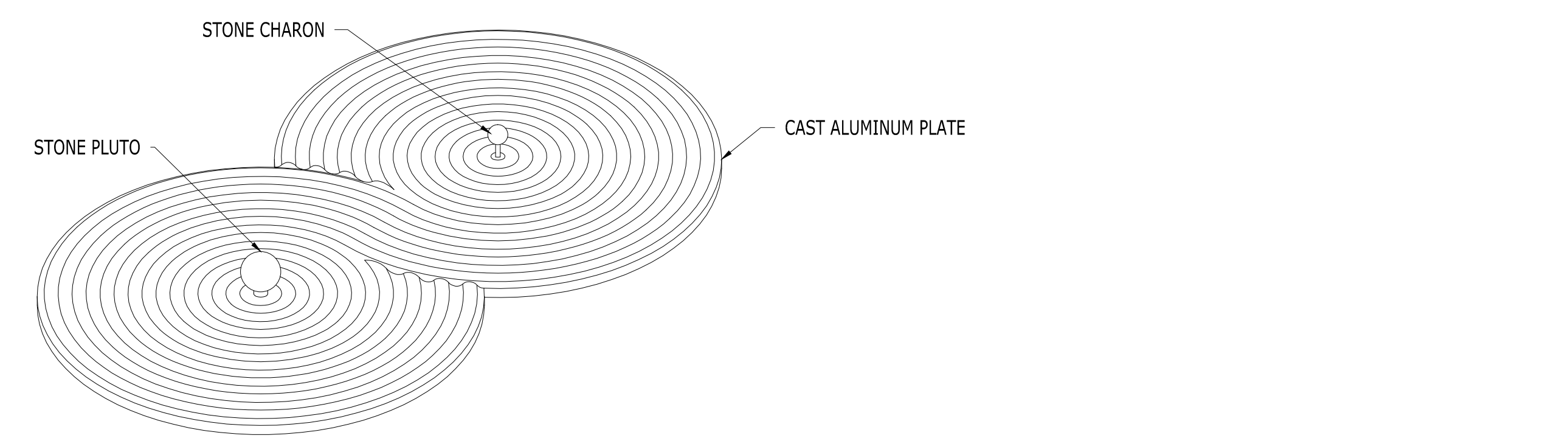
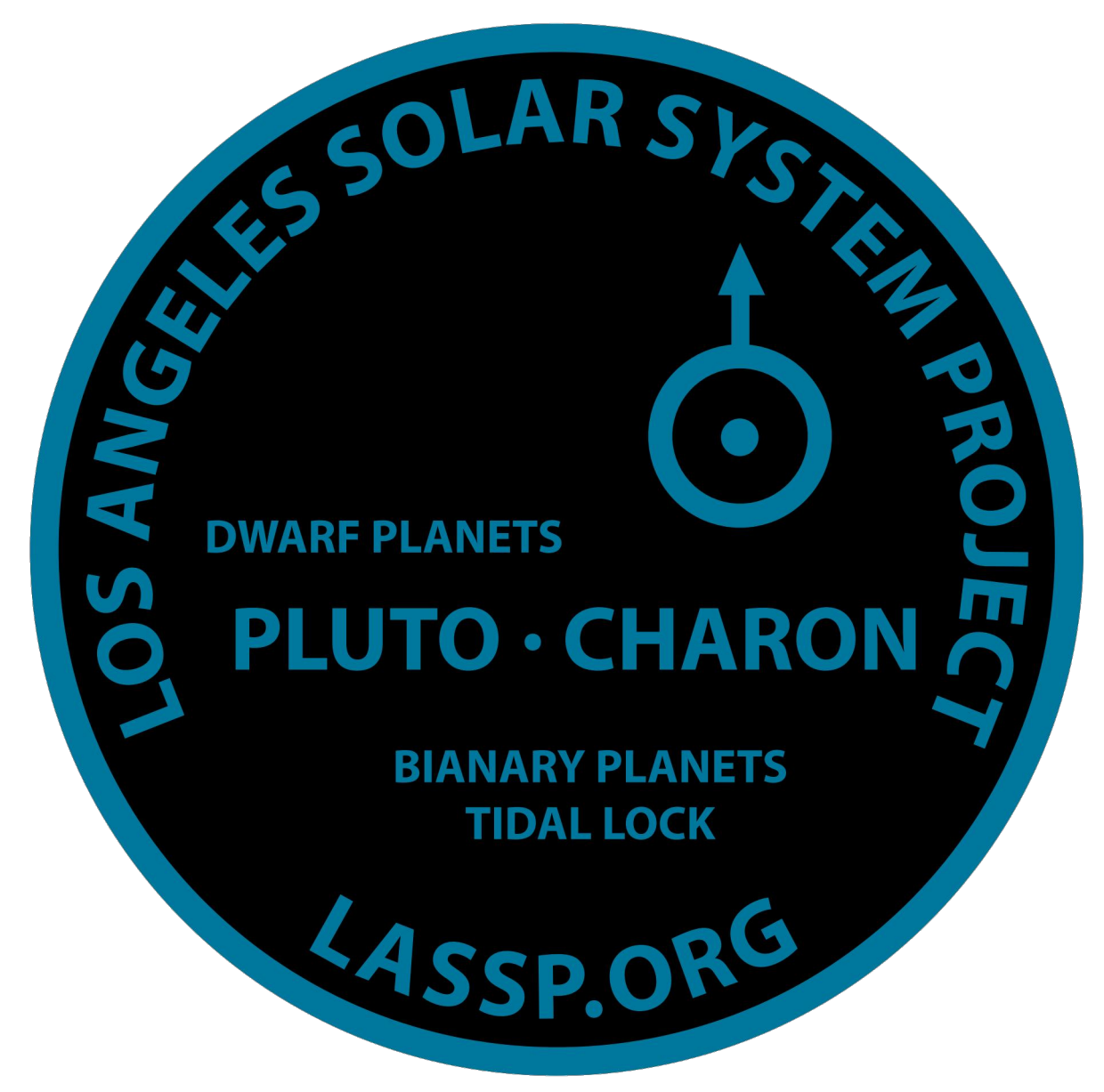
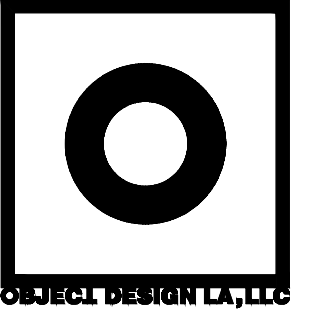
**FOR REVIEW**



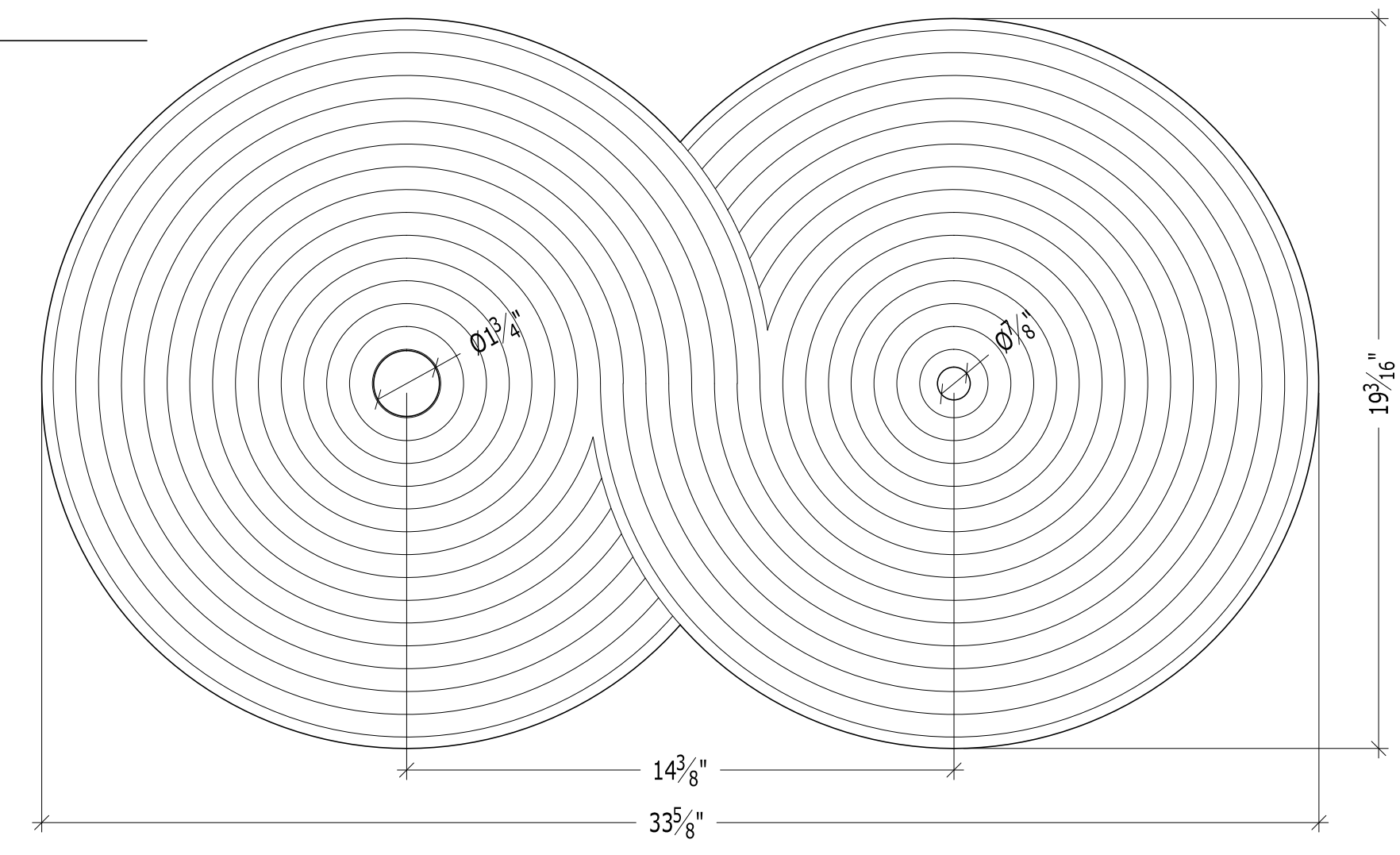
**1** SCALE: 1-1/2" = 1'-0"



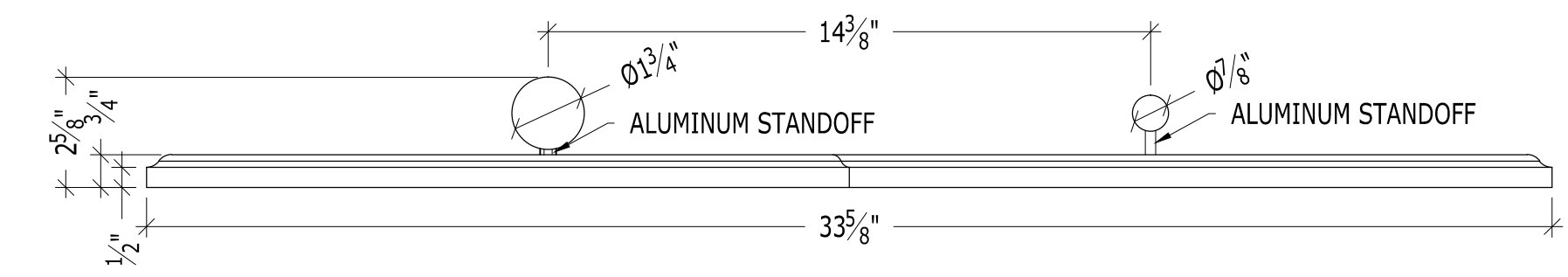
**C** ELEVATION - COMPANION GRAPHIC  
SCALE: HALF SCALE



ISO VIEW  
NTS



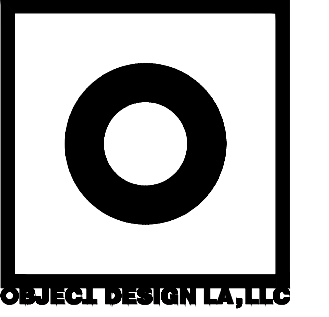
PLAN -  
SCALE: 3" = 1'-0"



ELEVATION -  
SCALE: 3" = 1'-0"

B ELEVATION - COMPANION GRAPHIC  
SCALE: HALF SCALE

FOR REVIEW



**JACK ANDERSON**  
FABRICATION DESIGN

3326 CAZADOR STREET  
LOS ANGELES CA 90065  
623-419-4802  
jack4congrss@protonmail.com

**LOS ANGELES SOLAR SYSTEM PROJECT**  
WALL MOUNT  
DWARF PLANET / ASTEROID

2800 E. Observatory Rd  
Los Angeles, CA 90027

DRAWN BY  
JACK

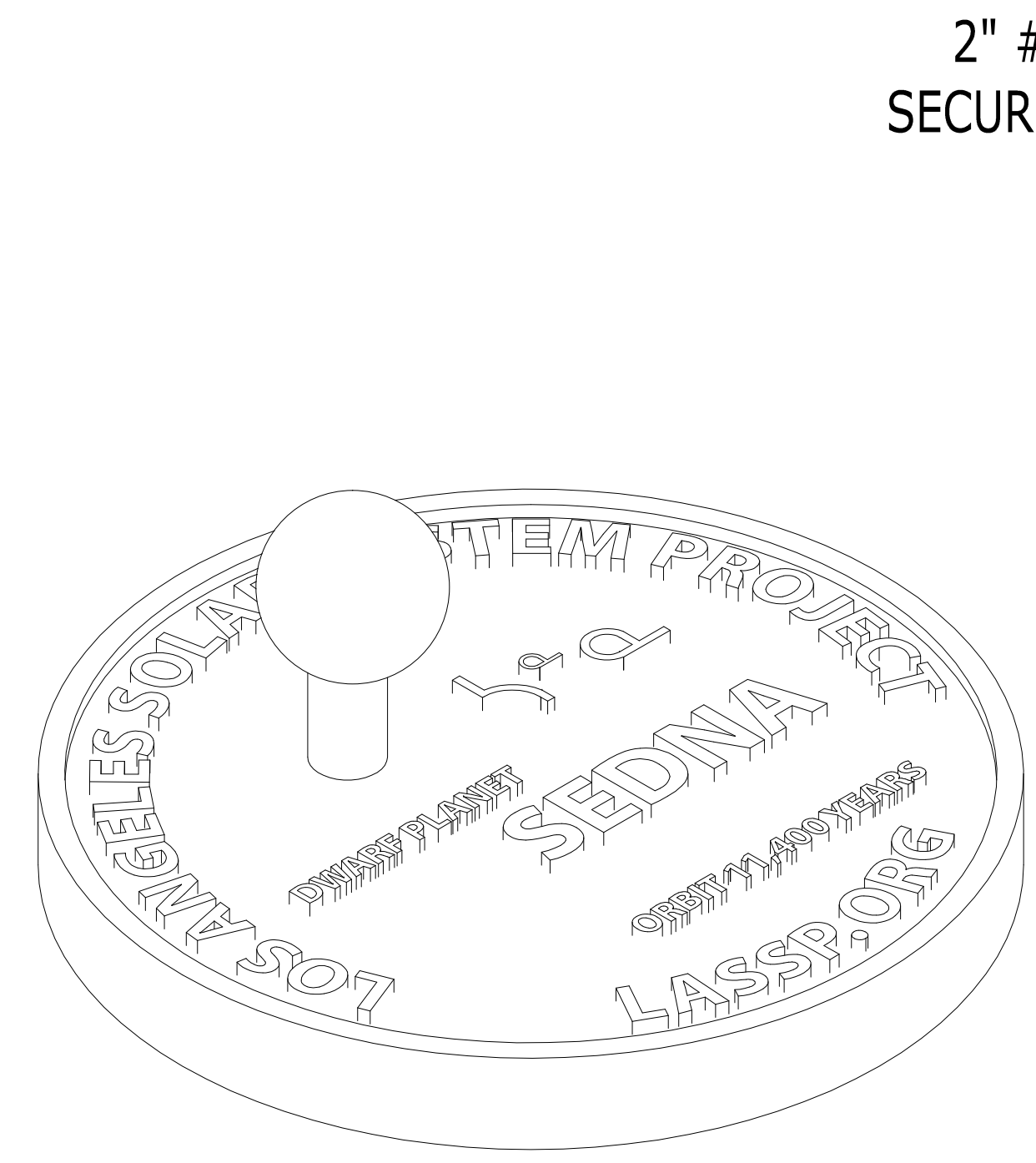
DRAWING DATE  
2-5-2026

REVISION DATE  
--/--/----

TITLE  
ELEVATION, SECTIONS

SCALE  
AS NOTED

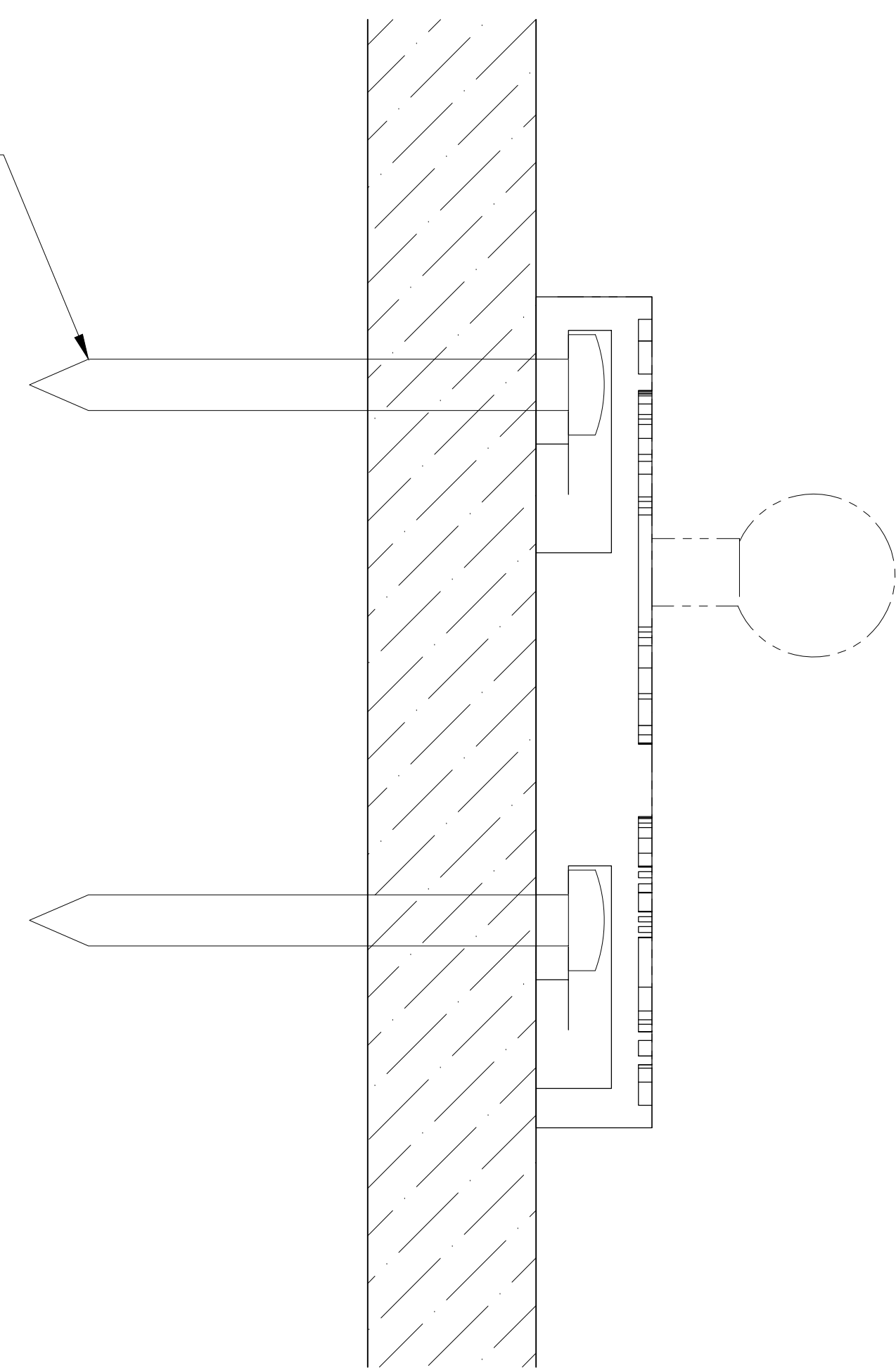
SHEET  
SE101



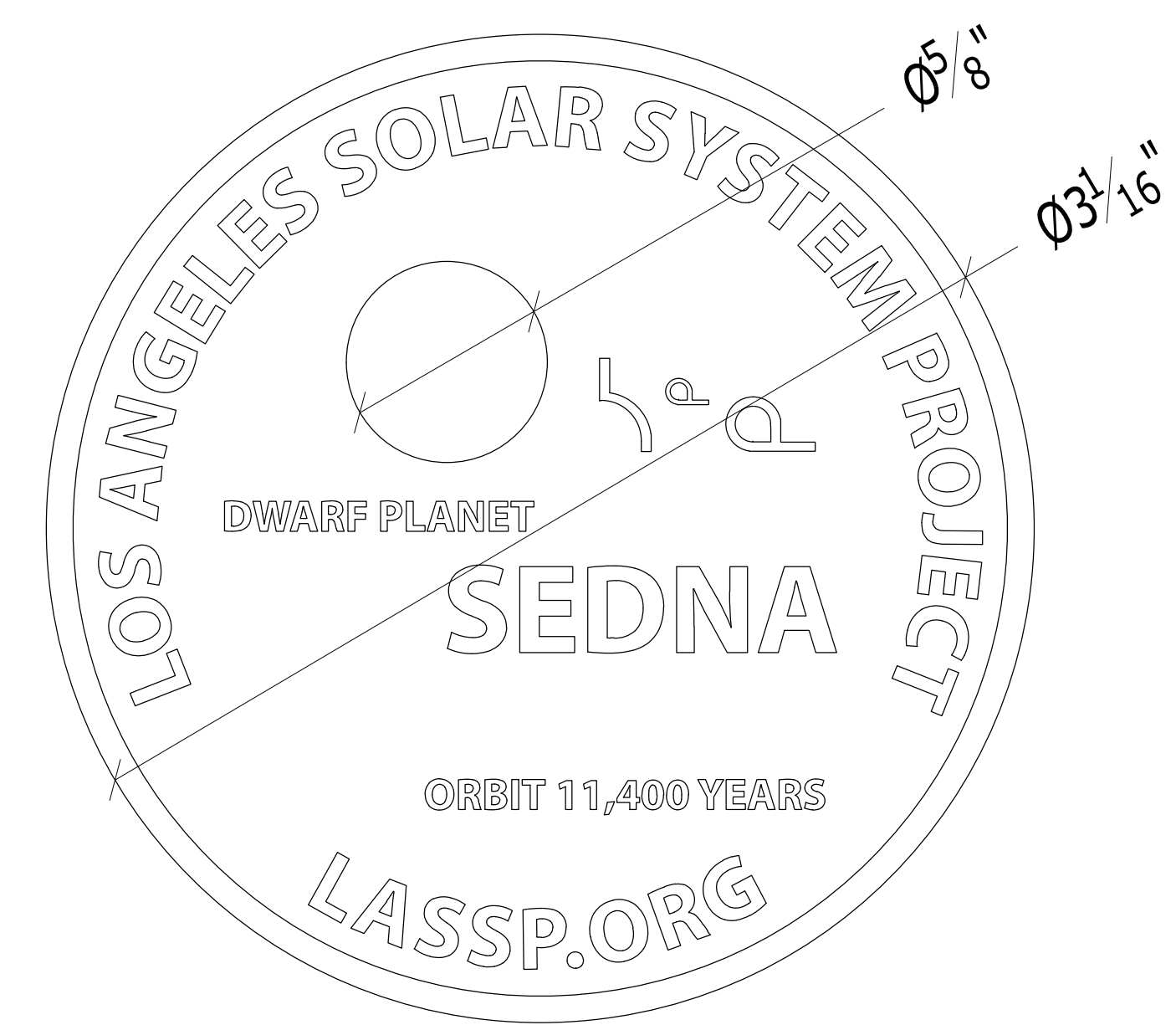
ISO VIEW  
NTS



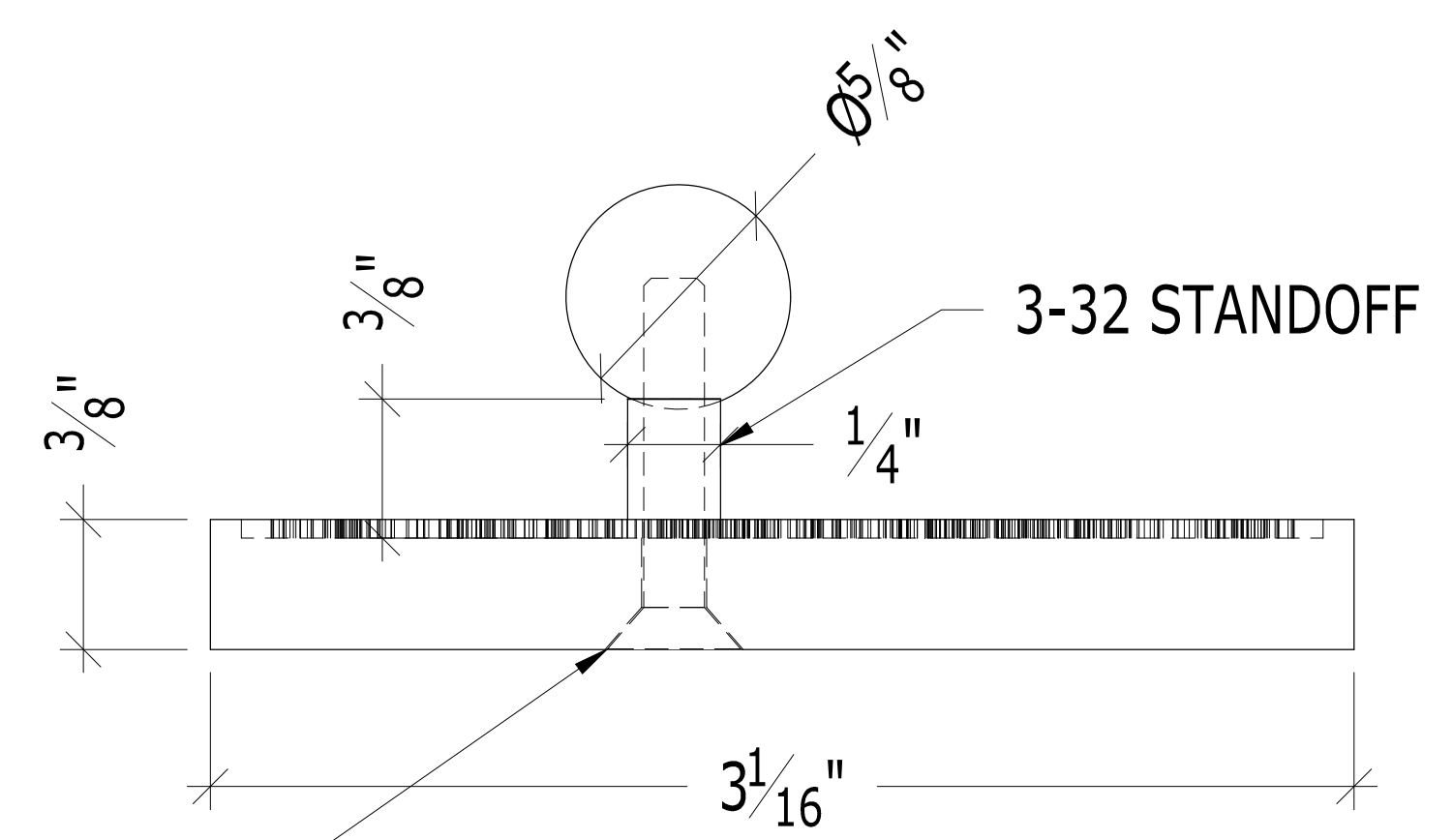
2" #10 PHSMS  
SECURE TO STUD



1 SECTION -  
SCALE: FULL SCALE



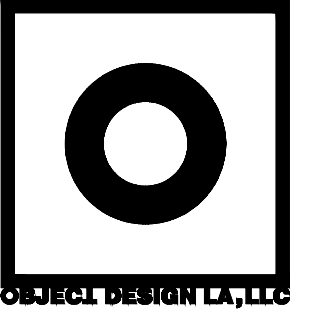
PLAN -  
SCALE: FULL SCALE



A ELEVATION -  
SCALE: FULL SCALE

8-32 x 1" F.H.D. MACH. SCREW

**FOR REVIEW**



**JACK ANDERSON**  
FABRICATION DESIGN

3326 CAZADOR STREET  
LOS ANGELES CA 90065  
623-419-4802  
jack4congrss@protonmail.com

**LOS ANGELES SOLAR SYSTEM PROJECT**  
**WALL MOUNT**  
**DWARF PLANET / ASTEROID**  
**SECURITY CASE**

2800 E. Observatory Rd  
Los Angeles, CA 90027

DRAWN BY  
**JACK**

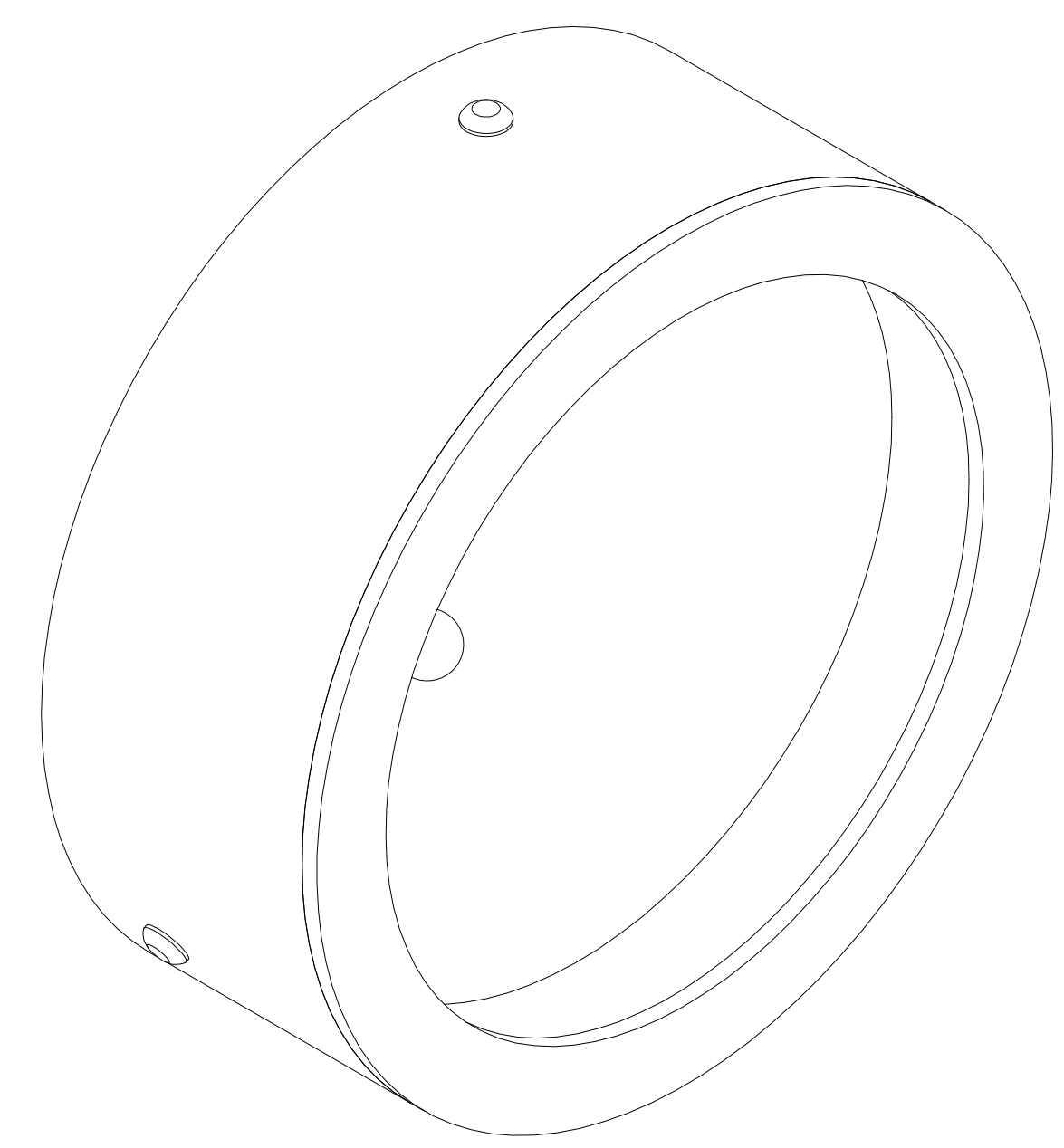
DRAWING DATE  
**2-5-2026**

REVISION DATE  
--/--/----

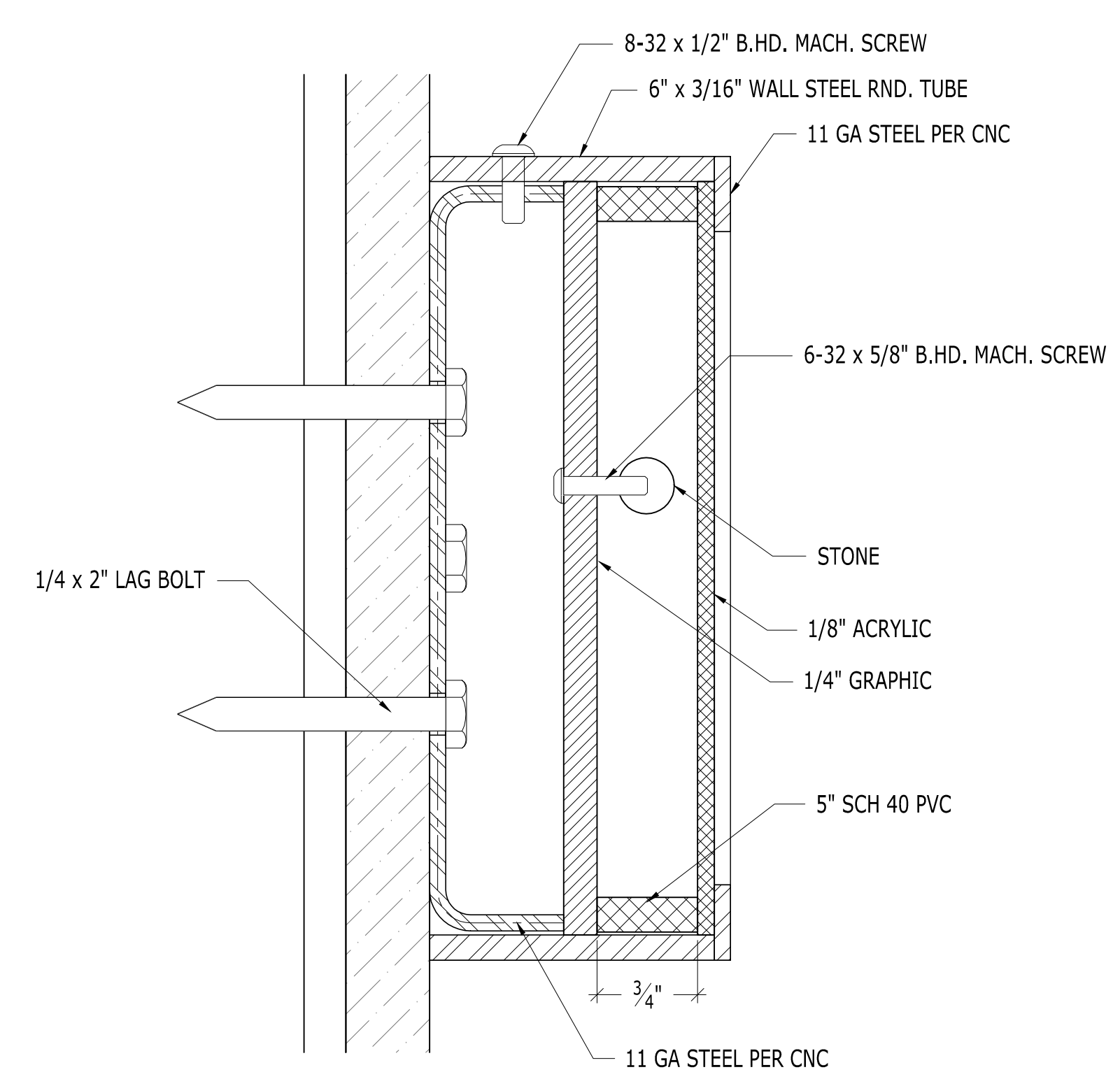
TITLE  
**ELEVATION, SECTIONS**

SCALE  
**AS NOTED**

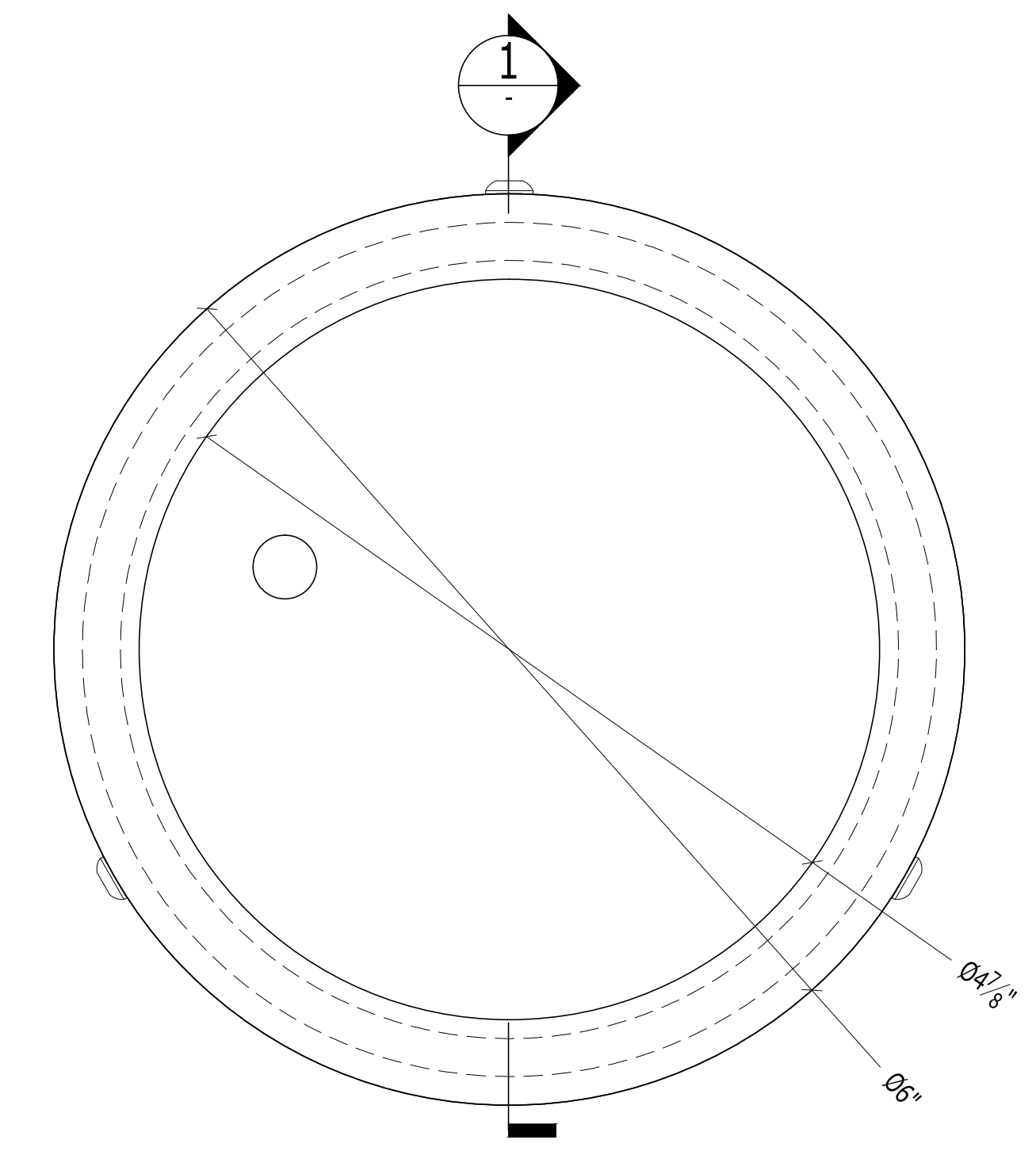
SHEET  
**AS900**



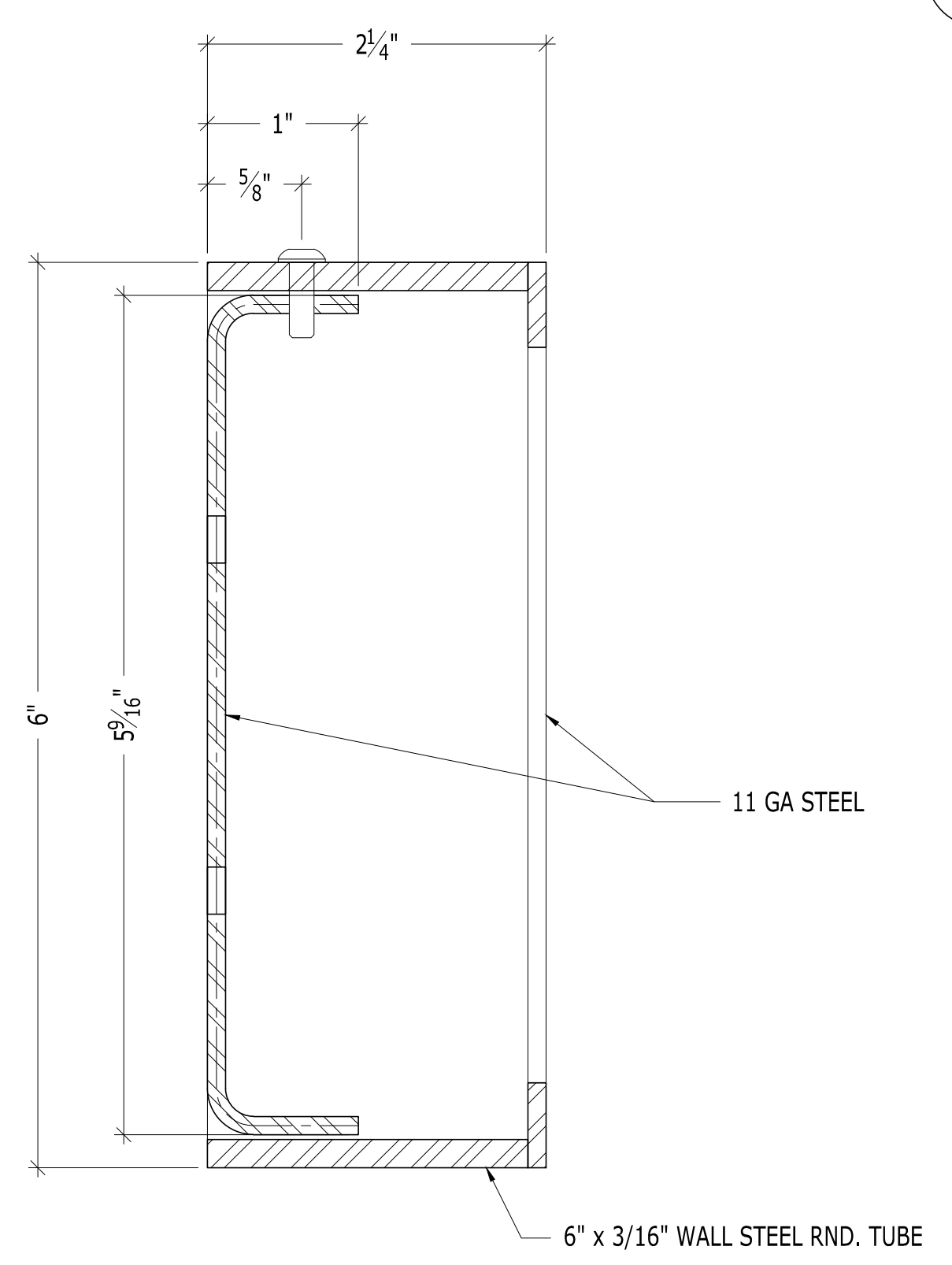
**ISO VIEW**  
NTS



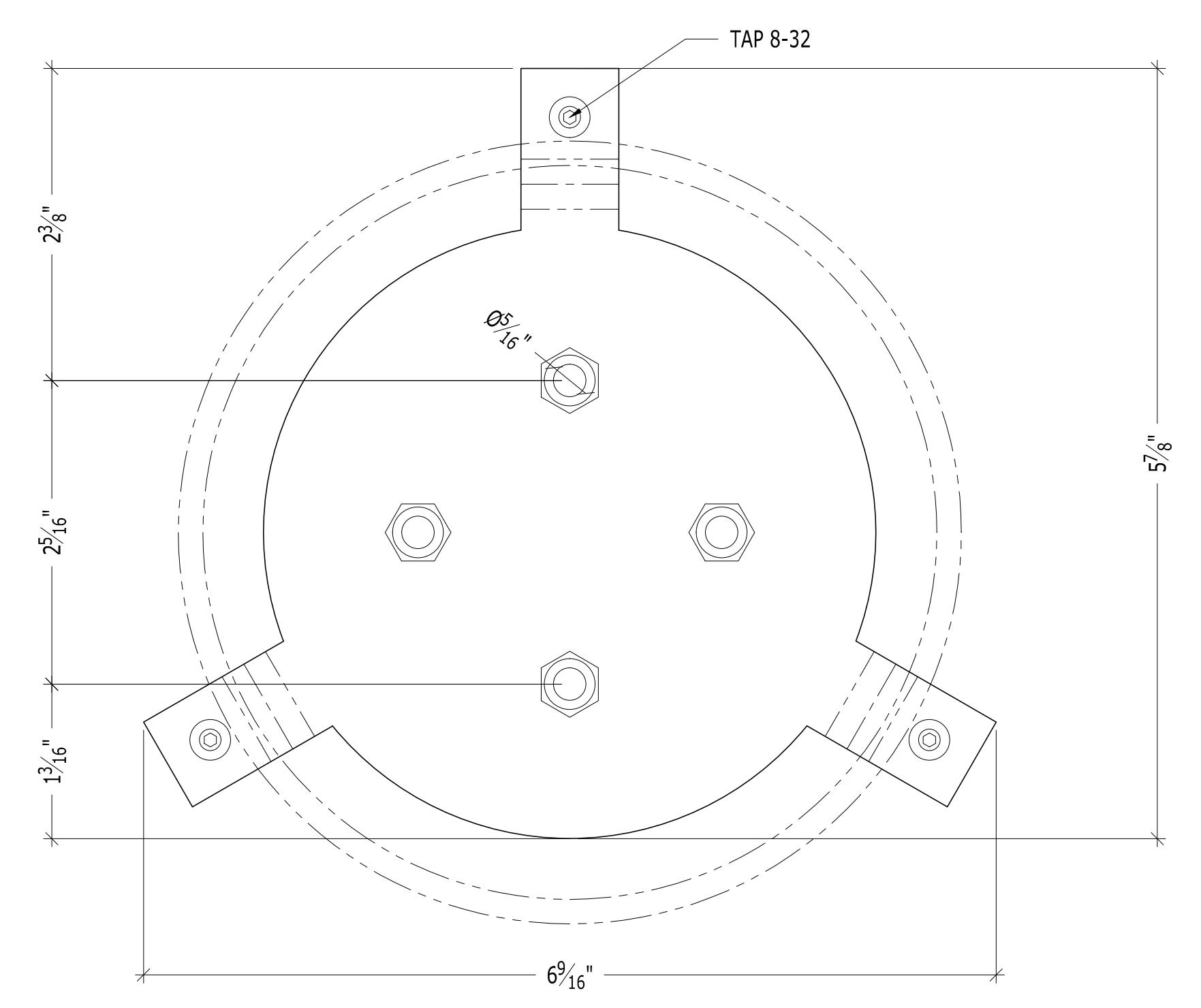
**1 SECTION -**  
SCALE: FULL SCALE



**A ELEVATION -**  
SCALE: FULL SCALE



**2 SECTION - STEEL**  
SCALE: FULL SCALE



**3 DETAIL - BACK PLATE PER CNC**  
SCALE: FULL SCALE

**FOR REVIEW**